

Special silencing permits axial return fans to be installed in “closet-type” space on each floor of multi-story office building.

PROBLEM: Very small equipment room

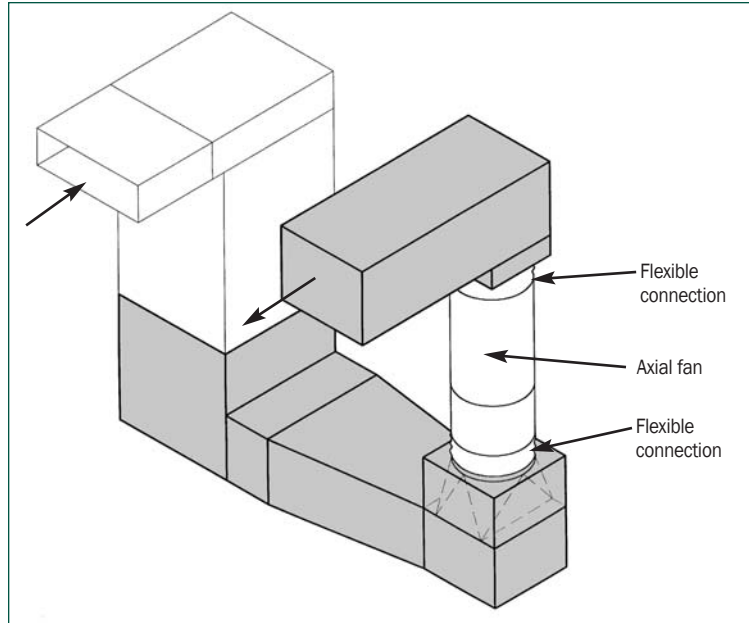
Space was limited to a very small floor area for a 10,000 CFM return fan to be installed on each floor.

SOLUTION: Special silencing for vertical axial fans

The return silencers, at floor level, were supplied in 3 pieces consisting of: an elbow, straight and transitional rectangular-to-round elbow silencers. They were “open-type” with no internal splitters, except turning vanes. All four walls were lined with 4” thick acoustic fiberglass held under compression and protected from fiber erosion by perforated metal.

The supply silencers were elbow round-to-rectangular, supplied in one piece.

All silencers had 18 gauge casings.



Isometric drawing of vertical axial fan silencing system. It fits in a closet-type space having floor dimensions only a few inches larger than the system footprint. A portion of the silencing is external to the closet-type space.



Axial return fan silencer component: Rectangular-to-round transitional elbow silencer with turning vanes.