

SILENCER APPLICATION SOLUTIONS

See Project Solution Sheet (PS#)

Primary Ref.: 15-1,2,3

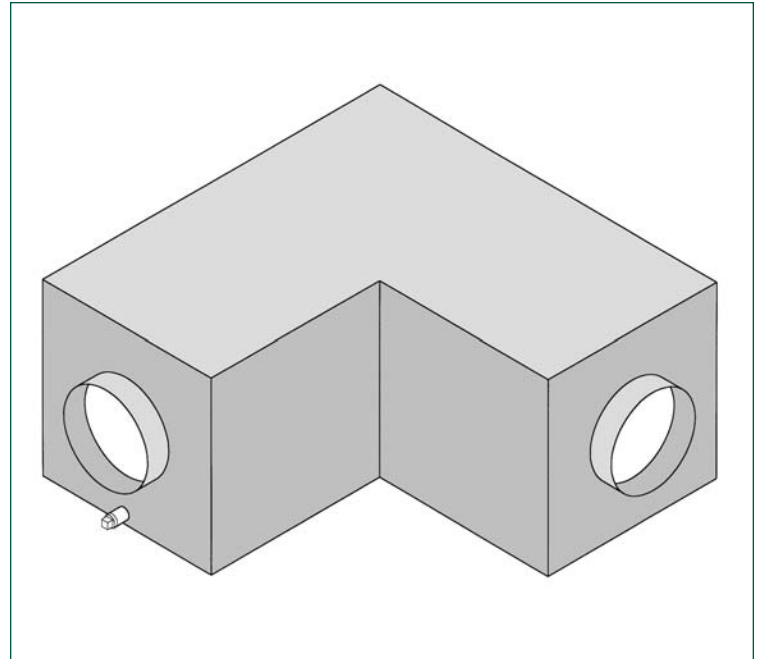
Secondary Ref.: 3-4,6-2,8-3,9-2,16-2

PROBLEM:**Severe Environmental Conditions**

- ◆ Noise control is often required in harsh environments such as laboratory fume hoods, kitchen exhausts, water treatment plants, swimming pools, etc.
- ◆ Sometimes silencers are installed in inaccessible locations where repair and replacement are economically impractical.
- ◆ Usually noise control products are hidden from view in shafts, ceiling spaces or equipment rooms. However, sometimes they may need to be located where aesthetics are critical.

SOLUTION:**Various Material and Construction Options**

- ◆ Vibro-Acoustics provides options for silencer composition and construction:
 - ◆ Various grades of galvanized steel, stainless steel and aluminum are available. Silencers can be manufactured with FRP or Inconel (high nickel content). More standard materials can be used in conjunction with special coatings such as heresite.
 - ◆ “Button-lock,” “pittsburgh lock,” fully welded, or pop-riveted construction is available. Special welding techniques such as annealing will increase the durability of the silencer.
 - ◆ Special designs for high temperature applications will incorporate allowances for thermal expansion and material failure.
 - ◆ Drain holes can be provided to prevent fluid build-ups.
- ◆ Special materials and/or coatings may be applied to provide aesthetically pleasing noise control products.



Stainless steel No-Media Elbow Silencer incorporates drain plug to allow regular flushing of chemical build-up.