

## SILENCER APPLICATION SOLUTIONS

See Project Solution Sheet (PS#)  
Primary Ref.: 16-1,2,3,4

### PROBLEM:

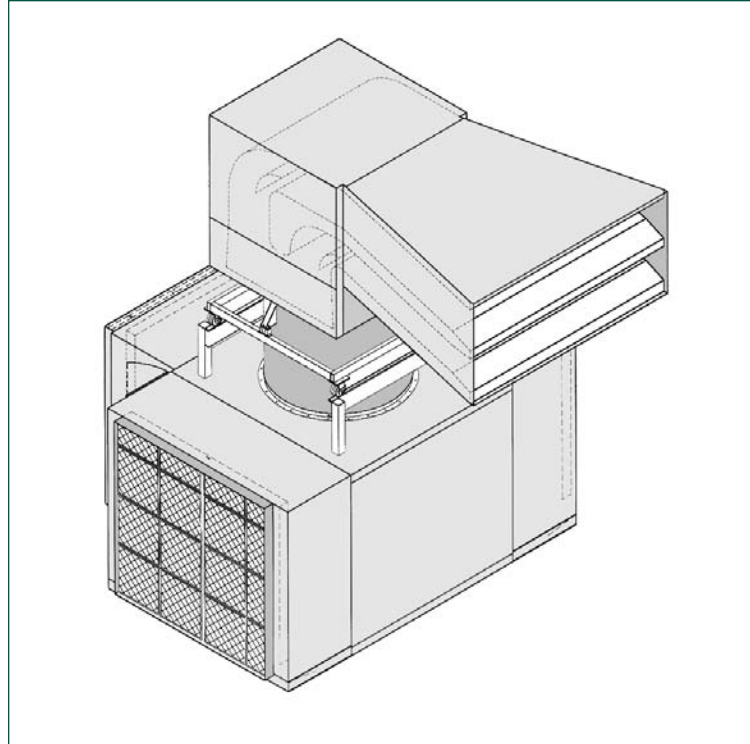
#### Very small equipment rooms

- ◆ Space is usually at a premium in building design. Mechanical equipment rooms (MER's) constantly get squeezed to allow more income generating floor space.
- ◆ Many multi-story building designs have abandoned the basement, intermediate mechanical floors or pent-house MER concept for on-floor or floor-by-floor MER's. Space is very tight for such applications.
- ◆ Retro-fit projects commonly require upgraded fan equipment to deliver more air from existing MER's. Converting storage, attic and even closets to mechanical rooms usually results in problems due to space (volume and shape) and accessibility.

### SOLUTION:

#### Package Supply

- ◆ The combination of fans with silencers can be supplied in compact configurations to fit the available space. Complete packages are often required including coils and filters and very detailed design and manufacturing for fit and accessibility.
- ◆ Air handler / silencer combinations may need to extend into ceiling spaces or other adjacent spaces outside the MER. Breakout noise control must be addressed.
- ◆ Often standard design concepts cannot be applied to extremely tight spaces. As an example, centrifugal fans may need to be replaced by vertical axial air handler designs.
- ◆ Extremely tight spaces usually require special design solutions. Please contact our application engineers for custom designs.



Vertical Axial Air Handling Unit with low energy inlet and discharge silencers fit into available space.