

SILENCER APPLICATION SOLUTIONS

See Project Solution Sheet (PS#)

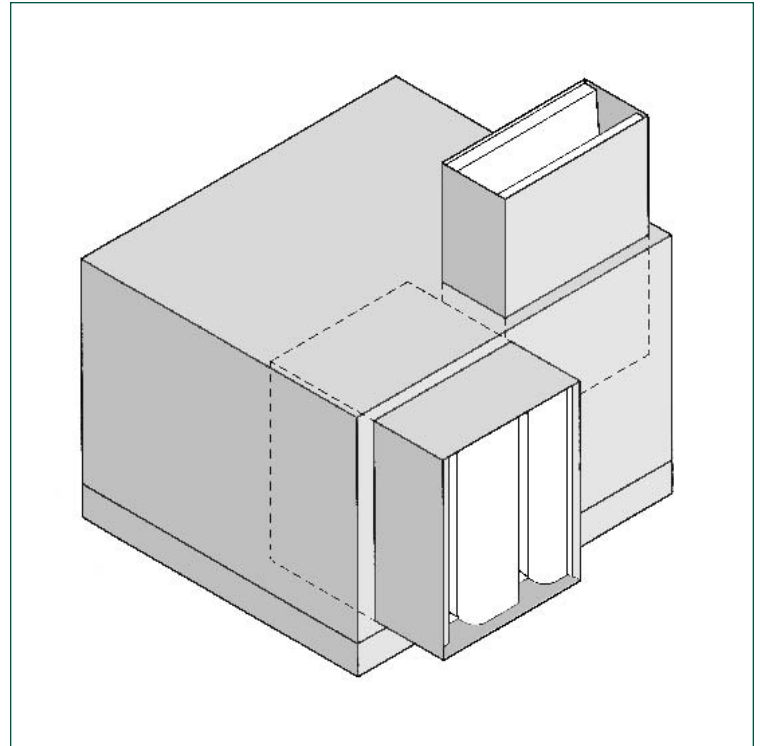
Primary Ref.: 17-1

PROBLEM: Fans in occupied space

- ◆ Building space constraints may eliminate mechanical equipment rooms (MER's) completely. That is fans and/or air handling units must be located within the occupied space or ceiling plenums.
- ◆ Retro-fit projects may have architectural limits which preclude locating air handling equipment within a MER on the roof or existing grounds.

SOLUTION: Fan/silencer packages and Quiet Air Handling Units

- ◆ Fan/silencer packages and air handling units with high transmission loss (HTL) casings can be designed to eliminate radiated noise. Meticulous attention to design details is required including leakage, flanking and vibration isolation. Silencers either within, partially within, or directly connected to the air handler contain the noise at the source.
- ◆ For custom designs contact our application engineers.



Quiet Air Handling Unit has HTL enclosure and silencers (part internal, part external to the unit's inlet and discharge) to minimize radiated noise.