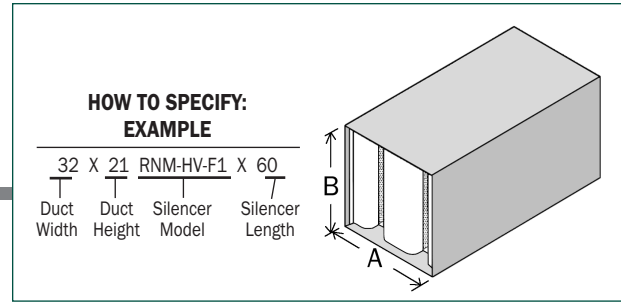


### CERTIFIED PERFORMANCE DATA



### Insertion Loss (IL)

LENGTH (inches)	FACE VELOCITY (feet per minute)	OCTAVE BAND - Hz/DYNAMIC INSERTION LOSS (dB)							
		63	125	250	500	1000	2000	4000	8000
36	- 2000	5	6	15	16	10	10	10	10
	0	1	3	9	11	7	7	6	5
	+ 2000	1	3	12	15	9	8	7	5
60	- 2000	6	7	18	18	12	11	10	10
	0	0	4	11	12	8	8	7	6
	+ 2000	1	6	15	18	11	10	8	6
84	- 2000	8	9	21	22	13	12	11	10
	0	4	5	12	15	10	10	9	7
	+ 2000	4	7	18	22	12	11	9	6
108	- 2000	10	10	24	27	14	12	11	10
	0	8	6	14	17	11	11	10	9
	+ 2000	6	7	21	26	13	12	10	7

+ : "forward flow" where noise & airflow move in same direction (e.g. supply side)

- : "reverse flow" where noise & airflow move in opposite directions (e.g. return side)

See pages 4.2 - 4.25 for selection information.

### Pressure Drop (PD)

LENGTH (inches)	FACE VELOCITY (feet per minute) / Pressure Drop (in.w.g.)						
	500	1000	1500	1750	2000	2250	2500
36	0.02	0.07	0.15	0.20	0.26	0.33	0.41
60	0.02	0.07	0.16	0.21	0.28	0.35	0.44
84	0.02	0.07	0.16	0.21	0.28	0.35	0.44
108	0.02	0.07	0.16	0.21	0.28	0.35	0.44

☐ : Acceptable (0 - 0.35")

▒ : Caution (>0.35") Pressure Drop may be too high for certain applications

#### CROSS-SECTION SIZES\*

##### "A" dimension (inches):

15-16  
29-32  
58-64  
87-96  
116-128  
145-160  
174-192  
203-224  
232-240

##### "B" dimension: ANY SIZE

**Approx. weight**  
3.8 lbs/cu.ft.

Pressure drops are reported in accordance with ASTM E477 methods and are based upon IDEAL flow conditions (5 diameters of straight duct on silencer inlet and 10 on outlet). Less than ideal conditions will result in an increase in pressure drop due to System Effects. See Silencer System Effects Data on page 4.19.

### Generated Noise (GN) @ 5 sq.ft. face area

LENGTH (inches)	FACE VELOCITY (feet per minute)	OCTAVE BAND - Hz/GENERATED NOISE (dB re 10 <sup>-12</sup> watts)							
		63	125	250	500	1000	2000	4000	8000
ALL	- 2000	57	58	55	54	59	65	63	53
	- 1250	51	49	48	48	55	57	50	34
	+ 1250	56	49	43	43	54	56	51	37
	+ 2000	59	58	52	50	57	65	65	57

GN correction chart at right must be used to correct GN to other face areas.

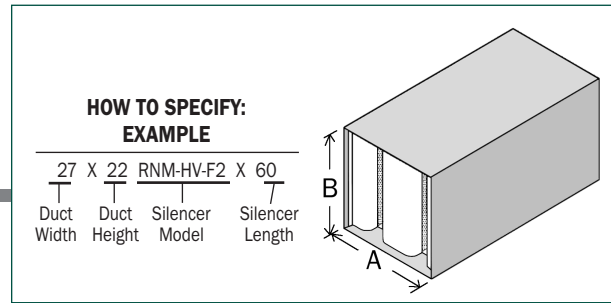


FACE AREA (sq.ft.)	2.5	5	10	20	40	80
dB	-3	0	+3	+6	+9	+12

\* To ensure a silencer selection that matches the ductwork dimensions, see page 4.25 or 5.95.

Patents U.S. 4,287,962; CAN. 1,137,877; CAN. 1,160,959

CERTIFIED PERFORMANCE DATA



Insertion Loss (IL)

LENGTH (inches)	FACE VELOCITY (feet per minute)	OCTAVE BAND - Hz/DYNAMIC INSERTION LOSS (dB)							
		63	125	250	500	1000	2000	4000	8000
36	- 2000	5	5	13	15	10	9	8	8
	0	1	3	9	11	7	7	6	6
	+ 2000	1	4	11	14	9	8	7	5
60	- 2000	6	7	16	18	11	10	9	8
	0	1	5	10	13	9	8	7	6
	+ 2000	2	6	14	17	11	10	8	6
84	- 2000	8	9	19	21	12	11	10	9
	0	4	5	11	15	9	9	9	7
	+ 2000	4	7	16	21	12	11	9	7
108	- 2000	11	11	22	25	13	12	10	8
	0	8	6	12	17	10	10	9	8
	+ 2000	7	8	18	24	13	12	10	7

+ : "forward flow" where noise & airflow move in same direction (e.g. supply side)

- : "reverse flow" where noise & airflow move in opposite directions (e.g. return side)

See pages 4.2 - 4.25 for selection information.

Pressure Drop (PD)

LENGTH (inches)	FACE VELOCITY (feet per minute) / Pressure Drop (in.w.g.)						
	500	1000	1500	1750	2000	2250	2500
36	0.02	0.07	0.15	0.20	0.26	0.33	0.41
60	0.02	0.07	0.16	0.21	0.28	0.35	0.44
84	0.02	0.07	0.17	0.22	0.29	0.37	0.46
108	0.02	0.07	0.16	0.22	0.29	0.36	0.45

☐ : Acceptable (0 - 0.35")

▒ : Caution (>0.35") Pressure Drop may be too high for certain applications

CROSS-SECTION SIZES\*

"A" dimension (inches):

- 14
- 27-28
- 54-57
- 81-86
- 108-115
- 135-144
- 162-173
- 189-202
- 216-231

"B" dimension: ANY SIZE

Approx. weight 3.9 lbs/cu.ft.

Pressure drops are reported in accordance with ASTM E477 methods and are based upon IDEAL flow conditions (5 diameters of straight duct on silencer inlet and 10 on outlet). Less than ideal conditions will result in an increase in pressure drop due to System Effects. See Silencer System Effects Data on page 4.19.

Generated Noise (GN) @ 5 sq.ft. face area

LENGTH (inches)	FACE VELOCITY (feet per minute)	OCTAVE BAND - Hz/GENERATED NOISE (dB re 10 <sup>-12</sup> watts)							
		63	125	250	500	1000	2000	4000	8000
ALL	- 2000	58	58	55	54	59	64	63	53
	- 1250	52	49	47	49	54	56	49	34
	+ 1250	56	49	43	44	54	56	51	37
	+ 2000	59	58	52	51	57	64	65	57

\* To ensure a silencer selection that matches the ductwork dimensions, see page 4.25 or 5.95.

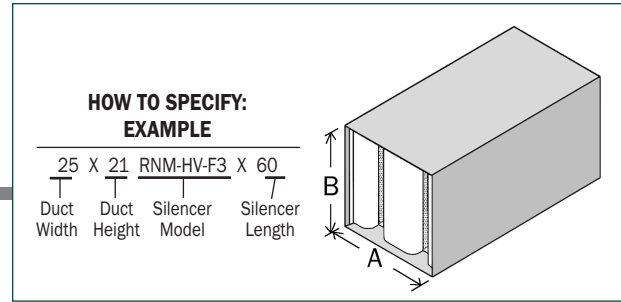
GN correction chart at right must be used to correct GN to other face areas.



FACE AREA (sq.ft.)	2.5	5	10	20	40	80
dB	-3	0	+3	+6	+9	+12

Patents U.S. 4,287,962; CAN. 1,137,877; CAN. 1,160,959

### CERTIFIED PERFORMANCE DATA



### Insertion Loss (IL)

LENGTH (inches)	FACE VELOCITY (feet per minute)	OCTAVE BAND - Hz/DYNAMIC INSERTION LOSS (dB)							
		63	125	250	500	1000	2000	4000	8000
36	- 2000	6	5	12	15	10	9	7	6
	0	2	3	8	12	7	7	6	6
	+ 2000	2	4	10	14	9	8	7	5
60	- 2000	7	7	14	17	11	9	7	7
	0	2	5	9	14	9	8	7	6
	+ 2000	3	6	12	17	11	10	8	6
84	- 2000	9	10	16	20	12	11	9	8
	0	5	6	9	15	9	9	9	7
	+ 2000	5	7	14	20	12	11	9	8
108	- 2000	11	11	19	22	13	11	9	7
	0	9	6	11	16	10	10	9	8
	+ 2000	8	8	16	21	13	11	10	8

+ : "forward flow" where noise & airflow move in same direction (e.g. supply side)

- : "reverse flow" where noise & airflow move in opposite directions (e.g. return side)

See pages 4.2 - 4.25 for selection information.

### Pressure Drop (PD)

LENGTH (inches)	FACE VELOCITY (feet per minute) / Pressure Drop (in.w.g.)						
	500	1000	1500	1750	2000	2250	2500
36	0.02	0.07	0.15	0.20	0.26	0.33	0.41
60	0.02	0.07	0.16	0.21	0.28	0.35	0.44
84	0.02	0.08	0.17	0.23	0.31	0.39	0.48
108	0.02	0.07	0.17	0.22	0.29	0.37	0.46

☐ : Acceptable (0 - 0.35")

▒ : Caution (>0.35") Pressure Drop may be too high for certain applications

#### CROSS-SECTION SIZES\*

##### "A" dimension (inches):

13  
25-26  
50-53  
75-80  
100-107  
125-134  
150-161  
175-188  
200-215  
225-240

##### "B" dimension: ANY SIZE

**Approx. weight**  
4.0 lbs/cu.ft.

Pressure drops are reported in accordance with ASTM E477 methods and are based upon IDEAL flow conditions (5 diameters of straight duct on silencer inlet and 10 on outlet). Less than ideal conditions will result in an increase in pressure drop due to System Effects. See Silencer System Effects Data on page 4.19.

### Generated Noise (GN) @ 5 sq.ft. face area

LENGTH (inches)	FACE VELOCITY (feet per minute)	OCTAVE BAND - Hz/GENERATED NOISE (dB re 10 <sup>-12</sup> watts)							
		63	125	250	500	1000	2000	4000	8000
ALL	- 2000	58	58	55	55	60	64	62	52
	- 1250	53	49	47	49	54	56	48	34
	+ 1250	56	49	44	45	53	56	50	37
	+ 2000	60	58	53	51	57	63	64	56

GN correction chart at right must be used to correct GN to other face areas.

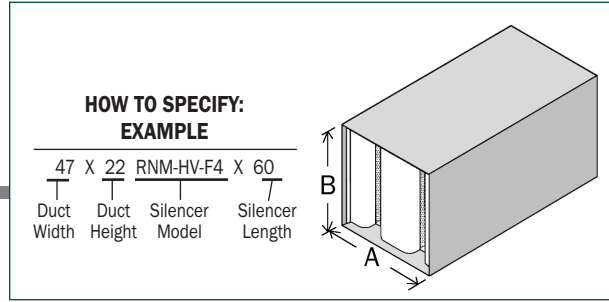


FACE AREA (sq.ft.)	2.5	5	10	20	40	80
dB	-3	0	+3	+6	+9	+12

\* To ensure a silencer selection that matches the ductwork dimensions, see page 4.25 or 5.95.

Patents U.S. 4,287,962; CAN. 1,137,877; CAN. 1,160,959

**CERTIFIED PERFORMANCE DATA**



**Insertion Loss (IL)**

LENGTH (inches)	FACE VELOCITY (feet per minute)	OCTAVE BAND - Hz/DYNAMIC INSERTION LOSS (dB)							
		63	125	250	500	1000	2000	4000	8000
36	- 2000	6	5	10	14	9	8	6	5
	0	3	3	7	13	8	7	6	6
	+ 2000	3	4	8	14	9	8	7	5
60	- 2000	7	7	13	17	11	9	6	5
	0	3	5	8	14	9	9	7	7
	+ 2000	4	6	11	17	11	10	8	6
84	- 2000	9	10	14	18	12	10	8	7
	0	5	6	8	15	9	9	9	7
	+ 2000	6	7	12	18	12	11	9	8
108	- 2000	11	11	16	20	12	10	8	6
	0	9	6	10	16	9	10	8	7
	+ 2000	9	8	14	19	12	11	10	8

+ : "forward flow" where noise & airflow move in same direction (e.g. supply side)  
- : "reverse flow" where noise & airflow move in opposite directions (e.g. return side)

See pages 4.2 - 4.25 for selection information.

**Pressure Drop (PD)**

LENGTH (inches)	FACE VELOCITY (feet per minute) / Pressure Drop (in.w.g.)						
	500	1000	1500	1750	2000	2250	2500
36	0.02	0.07	0.15	0.20	0.26	0.33	0.41
60	0.02	0.07	0.16	0.21	0.28	0.35	0.44
84	0.02	0.08	0.18	0.25	0.32	0.41	0.50
108	0.02	0.08	0.17	0.23	0.30	0.38	0.47

☐ : Acceptable (0 - 0.35")

▒ : Caution (>0.35") Pressure Drop may be too high for certain applications

**CROSS-SECTION SIZES\***

"A" dimension (inches):

- 12
- 23-24
- 46-49
- 69-74
- 92-99
- 115-124
- 138-149
- 161-174
- 184-199
- 207-224
- 230-240

"B" dimension:

ANY SIZE

**Approx. weight**

4.2 lbs/cu.ft.

Pressure drops are reported in accordance with ASTM E477 methods and are based upon IDEAL flow conditions (5 diameters of straight duct on silencer inlet and 10 on outlet). Less than ideal conditions will result in an increase in pressure drop due to System Effects. See Silencer System Effects Data on page 4.19.

**Generated Noise (GN) @ 5 sq.ft. face area**

LENGTH (inches)	FACE VELOCITY (feet per minute)	OCTAVE BAND - Hz/GENERATED NOISE (dB re 10 <sup>-12</sup> watts)							
		63	125	250	500	1000	2000	4000	8000
ALL	- 2000	59	58	55	55	60	63	62	52
	- 1250	54	49	47	50	54	55	47	34
	+ 1250	56	49	44	46	53	55	50	37
	+ 2000	60	58	53	52	57	63	63	55

GN correction chart at right must be used to correct GN to other face areas.

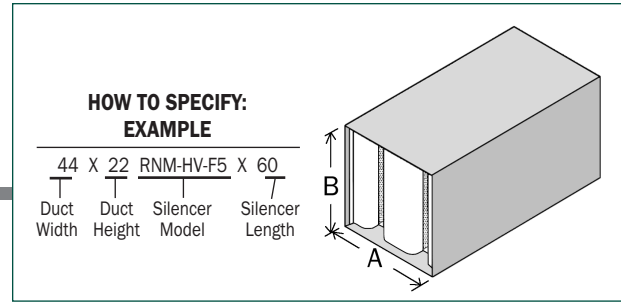


FACE AREA (sq.ft.)	2.5	5	10	20	40	80
dB	-3	0	+3	+6	+9	+12

\* To ensure a silencer selection that matches the duct-work dimensions, see page 4.25 or 5.95.

Patents U.S. 4,287,962; CAN. 1,137,877; CAN. 1,160,959

### CERTIFIED PERFORMANCE DATA



### Insertion Loss (IL)

LENGTH (inches)	FACE VELOCITY (feet per minute)	OCTAVE BAND - Hz/DYNAMIC INSERTION LOSS (dB)							
		63	125	250	500	1000	2000	4000	8000
36	- 2000	6	5	10	14	11	8	6	5
	0	3	3	6	12	9	8	6	6
	+ 2000	3	4	8	13	10	9	7	5
60	- 2000	7	7	12	16	12	9	6	5
	0	3	5	8	14	10	9	7	7
	+ 2000	4	6	10	16	12	10	8	6
84	- 2000	9	9	13	18	13	11	9	7
	0	5	6	8	14	11	10	9	7
	+ 2000	6	7	11	18	13	12	10	8
108	- 2000	10	10	15	19	14	12	8	6
	0	9	6	9	15	11	11	9	7
	+ 2000	9	7	13	18	14	13	10	8

+ : "forward flow" where noise & airflow move in same direction (e.g. supply side)

- : "reverse flow" where noise & airflow move in opposite directions (e.g. return side)

See pages 4.2 - 4.25 for selection information.

### Pressure Drop (PD)

LENGTH (inches)	FACE VELOCITY (feet per minute) / Pressure Drop (in.w.g.)						
	500	1000	1500	1750	2000	2250	2500
36	0.02	0.07	0.15	0.20	0.26	0.33	0.41
60	0.02	0.07	0.16	0.21	0.28	0.35	0.44
84	0.02	0.08	0.17	0.23	0.31	0.39	0.48
108	0.02	0.07	0.17	0.23	0.30	0.38	0.46

☐ : Acceptable (0 - 0.35")

▒ : Caution (>0.35")  
Pressure Drop may be too high for certain applications

#### CROSS-SECTION SIZES\*

"A" dimension (inches):

11  
21-22  
42-45  
63-68  
84-91  
105-114  
126-137  
147-160  
168-183  
189-206  
210-229  
231-240

"B" dimension:  
ANY SIZE

Approx. weight  
4.4 lbs/cu.ft.

Pressure drops are reported in accordance with ASTM E477 methods and are based upon IDEAL flow conditions (5 diameters of straight duct on silencer inlet and 10 on outlet). Less than ideal conditions will result in an increase in pressure drop due to System Effects. See Silencer System Effects Data on page 4.19.

### Generated Noise (GN) @ 5 sq.ft. face area

LENGTH (inches)	FACE VELOCITY (feet per minute)	OCTAVE BAND - Hz/GENERATED NOISE (dB re 10 <sup>-12</sup> watts)							
		63	125	250	500	1000	2000	4000	8000
ALL	- 2000	58	58	55	55	60	63	62	52
	- 1250	54	49	47	50	54	55	48	34
	+ 1250	56	50	44	47	53	55	50	37
	+ 2000	60	58	53	52	58	63	64	56

GN correction chart at right must be used to correct GN to other face areas.

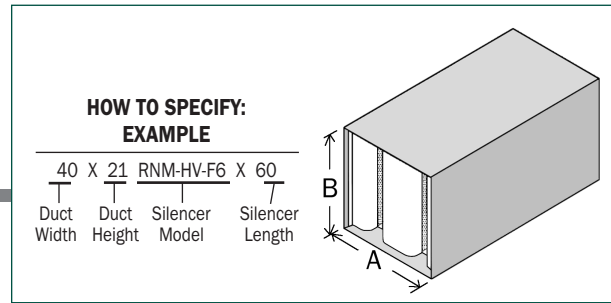


FACE AREA (sq.ft.)	2.5	5	10	20	40	80
dB	-3	0	+3	+6	+9	+12

\* To ensure a silencer selection that matches the ductwork dimensions, see page 4.25 or 5.95.

Patents U.S. 4,287,962; CAN. 1,137,877; CAN. 1,160,959

### CERTIFIED PERFORMANCE DATA



### Insertion Loss (IL)

LENGTH (inches)	FACE VELOCITY (feet per minute)	OCTAVE BAND - Hz/DYNAMIC INSERTION LOSS (dB)							
		63	125	250	500	1000	2000	4000	8000
36	- 2000	5	5	9	14	12	9	6	5
	0	3	3	6	12	10	8	6	6
	+ 2000	3	3	8	13	12	9	7	5
60	- 2000	7	7	11	16	14	10	7	6
	0	2	4	7	13	12	9	7	7
	+ 2000	3	6	10	16	14	11	8	7
84	- 2000	9	9	12	17	14	12	9	7
	0	5	5	7	14	13	11	9	8
	+ 2000	6	6	10	17	14	13	10	8
108	- 2000	10	9	15	19	16	13	9	6
	0	8	5	9	15	13	12	9	8
	+ 2000	8	7	12	17	16	14	10	8

+ : "forward flow" where noise & airflow move in same direction (e.g. supply side)

- : "reverse flow" where noise & airflow move in opposite directions (e.g. return side)

See pages 4.2 - 4.25 for selection information.

### Pressure Drop (PD)

LENGTH (inches)	FACE VELOCITY (feet per minute) / Pressure Drop (in.w.g.)						
	500	1000	1500	1750	2000	2250	2500
36	0.02	0.07	0.15	0.20	0.27	0.34	0.42
60	0.02	0.07	0.16	0.21	0.28	0.35	0.44
84	0.02	0.07	0.17	0.22	0.29	0.37	0.46
108	0.02	0.07	0.17	0.22	0.29	0.37	0.46

: Acceptable (0 - 0.35")

: Caution (>0.35") Pressure Drop may be too high for certain applications

#### CROSS-SECTION SIZES\*

"A" dimension (inches):

10  
19-20  
38-41  
57-62  
76-83  
95-104  
114-125  
133-146  
152-167  
171-188  
190-240

"B" dimension:

ANY SIZE

Approx. weight

4.5 lbs/cu.ft.

Pressure drops are reported in accordance with ASTM E477 methods and are based upon IDEAL flow conditions (5 diameters of straight duct on silencer inlet and 10 on outlet). Less than ideal conditions will result in an increase in pressure drop due to System Effects. See Silencer System Effects Data on page 4.19.

### Generated Noise (GN) @ 5 sq.ft. face area

LENGTH (inches)	FACE VELOCITY (feet per minute)	OCTAVE BAND - Hz/GENERATED NOISE (dB re 10 <sup>-12</sup> watts)							
		63	125	250	500	1000	2000	4000	8000
ALL	- 2000	58	58	55	56	61	64	63	53
	- 1250	55	49	47	50	55	56	49	35
	+ 1250	56	50	44	47	53	56	51	38
	+ 2000	60	58	53	53	58	63	64	56

GN correction chart at right must be used to correct GN to other face areas.

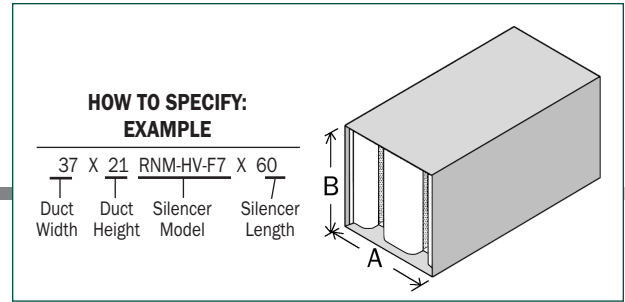


FACE AREA (sq.ft.)	2.5	5	10	20	40	80
dB	-3	0	+3	+6	+9	+12

\* To ensure a silencer selection that matches the duct-work dimensions, see page 4.25 or 5.95.

Patents U.S. 4,287,962; CAN. 1,137,877; CAN. 1,160,959

CERTIFIED PERFORMANCE DATA



Insertion Loss (IL)

LENGTH (inches)	FACE VELOCITY (feet per minute)	OCTAVE BAND - Hz/DYNAMIC INSERTION LOSS (dB)							
		63	125	250	500	1000	2000	4000	8000
36	- 2000	5	5	9	14	14	9	6	5
	0	3	3	6	12	12	8	6	6
	+ 2000	3	3	7	13	13	9	7	5
60	- 2000	6	6	11	15	15	10	7	6
	0	1	4	7	13	14	10	8	7
	+ 2000	3	6	9	15	15	11	8	7
84	- 2000	9	8	12	16	16	13	9	8
	0	5	5	7	13	14	12	9	8
	+ 2000	6	6	10	16	16	14	10	9
108	- 2000	10	9	14	18	18	14	9	7
	0	8	5	8	14	15	14	10	8
	+ 2000	8	6	11	17	17	15	11	9

+ : "forward flow" where noise & airflow move in same direction (e.g. supply side)  
 - : "reverse flow" where noise & airflow move in opposite directions (e.g. return side)

See pages 4.2 - 4.25 for selection information.

Pressure Drop (PD)

LENGTH (inches)	FACE VELOCITY (feet per minute) / Pressure Drop (in.w.g.)						
	500	1000	1500	1750	2000	2250	2500
36	0.02	0.07	0.15	0.21	0.27	0.34	0.42
60	0.02	0.07	0.16	0.21	0.28	0.35	0.44
84	0.02	0.07	0.16	0.21	0.28	0.35	0.44
108	0.02	0.07	0.16	0.22	0.29	0.37	0.45

Acceptable (0 - 0.35")

Caution (>0.35") Pressure Drop may be too high for certain applications

CROSS-SECTION SIZES*
"A" dimension (inches):
9
17-18
33-37
50-56
66-75
83-94
99-113
116-240
"B" dimension:
ANY SIZE
Approx. weight
4.7 lbs/cu.ft.

Pressure drops are reported in accordance with ASTM E477 methods and are based upon IDEAL flow conditions (5 diameters of straight duct on silencer inlet and 10 on outlet). Less than ideal conditions will result in an increase in pressure drop due to System Effects. See Silencer System Effects Data on page 4.19.

Generated Noise (GN) @ 5 sq.ft. face area

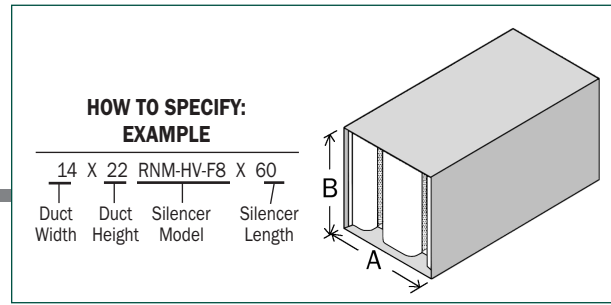
LENGTH (inches)	FACE VELOCITY (feet per minute)	OCTAVE BAND - Hz/GENERATED NOISE (dB re 10 <sup>-12</sup> watts)							
		63	125	250	500	1000	2000	4000	8000
ALL	- 2000	58	58	55	56	61	64	63	54
	- 1250	55	49	47	51	56	57	50	35
	+ 1250	57	50	44	48	54	56	51	38
	+ 2000	61	58	53	53	58	63	64	56

GN correction chart at right must be used to correct GN to other face areas.

FACE AREA (sq.ft.)	2.5	5	10	20	40	80
dB	-3	0	+3	+6	+9	+12

Patents U.S. 4,287,962; CAN. 1,137,877; CAN. 1,160,959

CERTIFIED PERFORMANCE DATA



Insertion Loss (IL)

LENGTH (inches)	FACE VELOCITY (feet per minute)	OCTAVE BAND - Hz/DYNAMIC INSERTION LOSS (dB)							
		63	125	250	500	1000	2000	4000	8000
36	- 2000	5	5	12	20	19	9	9	8
	0	4	2	7	17	11	7	8	7
	+ 2000	2	3	10	17	19	9	8	6
60	- 2000	7	7	13	21	21	11	11	10
	0	2	4	7	17	14	9	10	9
	+ 2000	1	5	10	19	21	10	10	8
84	- 2000	8	7	13	22	25	13	12	11
	0	3	4	7	18	17	11	10	9
	+ 2000	3	5	11	19	24	12	11	9
108	- 2000	9	7	14	22	28	15	13	11
	0	5	4	7	18	21	13	11	9
	+ 2000	6	5	11	20	28	14	12	9

+ : "forward flow" where noise & airflow move in same direction (e.g. supply side)  
- : "reverse flow" where noise & airflow move in opposite directions (e.g. return side)

See pages 4.2 - 4.25 for selection information.

Pressure Drop (PD)

LENGTH (inches)	FACE VELOCITY (feet per minute) / Pressure Drop (in.w.g.)						
	500	1000	1500	1750	2000	2250	2500
36	0.02	0.07	0.16	0.21	0.28	0.35	0.44
60	0.02	0.07	0.16	0.21	0.28	0.35	0.44
84	0.02	0.07	0.15	0.21	0.27	0.34	0.42
108	0.02	0.07	0.15	0.20	0.26	0.33	0.41

☐ : Acceptable (0 - 0.35")  
▨ : Caution (>0.35") Pressure Drop may be too high for certain applications

CROSS-SECTION SIZES*
<b>"A" dimension (inches):</b>
7-8
14-16
27-32
41-49
54-65
68-240
<b>"B" dimension:</b>
ANY SIZE
<b>Approx. weight</b>
5.3 lbs/cu.ft.

Pressure drops are reported in accordance with ASTM E477 methods and are based upon IDEAL flow conditions (5 diameters of straight duct on silencer inlet and 10 on outlet). Less than ideal conditions will result in an increase in pressure drop due to System Effects. See Silencer System Effects Data on page 4.19.

Generated Noise (GN) @ 5 sq.ft. face area

LENGTH (inches)	FACE VELOCITY (feet per minute)	OCTAVE BAND - Hz/GENERATED NOISE (dB re 10 <sup>-12</sup> watts)							
		63	125	250	500	1000	2000	4000	8000
ALL	- 2000	58	59	55	55	59	66	66	56
	- 1250	56	49	46	49	56	60	53	37
	+ 1250	55	48	42	44	53	57	51	37
	+ 2000	60	57	53	51	57	65	64	56

\* To ensure a silencer selection that matches the ductwork dimensions, see page 4.25 or 5.95.

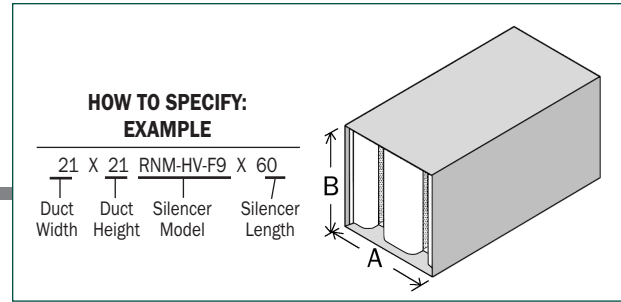
GN correction chart at right must be used to correct GN to other face areas.

FACE AREA (sq.ft.)	2.5	5	10	20	40	80
dB	-3	0	+3	+6	+9	+12

Patents U.S. 4,287,962; CAN. 1,137,877; CAN. 1,160,959



### CERTIFIED PERFORMANCE DATA



### Insertion Loss (IL)

LENGTH (inches)	FACE VELOCITY (feet per minute)	OCTAVE BAND - Hz/DYNAMIC INSERTION LOSS (dB)							
		63	125	250	500	1000	2000	4000	8000
36	- 2000	4	4	8	13	19	10	7	5
	0	3	2	5	10	16	9	7	6
	+ 2000	2	3	7	11	18	10	7	6
60	- 2000	6	6	9	14	20	12	8	7
	0	0	4	5	11	19	11	8	8
	+ 2000	1	5	7	13	20	12	9	8
84	- 2000	9	7	10	14	20	15	10	8
	0	6	4	5	11	20	15	10	9
	+ 2000	7	5	8	13	20	16	11	9
108	- 2000	9	7	11	16	23	17	11	8
	0	7	4	6	12	22	17	11	10
	+ 2000	8	5	9	15	22	19	12	10

+ : "forward flow" where noise & airflow move in same direction (e.g. supply side)

- : "reverse flow" where noise & airflow move in opposite directions (e.g. return side)

See pages 4.2 - 4.25 for selection information.

### Pressure Drop (PD)

LENGTH (inches)	FACE VELOCITY (feet per minute) / Pressure Drop (in.w.g.)						
	500	1000	1500	1750	2000	2250	2500
36	0.02	0.07	0.16	0.21	0.28	0.35	0.44
60	0.02	0.07	0.16	0.21	0.28	0.35	0.44
84	0.02	0.06	0.14	0.18	0.24	0.30	0.38
108	0.02	0.07	0.16	0.21	0.28	0.35	0.44

  : Acceptable (0 - 0.35")

  : Caution (>0.35")  
Pressure Drop may be too high for certain applications

#### CROSS-SECTION SIZES\*

"A" dimension (inches):

6  
10-13  
20-26  
30-240

"B" dimension: ANY SIZE

Approx. weight  
6.0 lbs/cu.ft.

Pressure drops are reported in accordance with ASTM E477 methods and are based upon IDEAL flow conditions (5 diameters of straight duct on silencer inlet and 10 on outlet). Less than ideal conditions will result in an increase in pressure drop due to System Effects. See Silencer System Effects Data on page 4.19.

### Generated Noise (GN) @ 5 sq.ft. face area

LENGTH (inches)	FACE VELOCITY (feet per minute)	OCTAVE BAND - Hz/GENERATED NOISE (dB re 10 <sup>-12</sup> watts)							
		63	125	250	500	1000	2000	4000	8000
ALL	- 2000	58	57	56	57	62	65	65	56
	- 1250	55	50	47	52	58	58	52	36
	+ 1250	58	50	45	49	54	57	52	39
	+ 2000	62	58	54	54	58	64	65	58

\* To ensure a silencer selection that matches the ductwork dimensions, see page 4.25 or 5.95.

GN correction chart at right must be used to correct GN to other face areas.



FACE AREA (sq.ft.)	2.5	5	10	20	40	80
dB	-3	0	+3	+6	+9	+12

Patents U.S. 4,287,962; CAN. 1,137,877; CAN. 1,160,959