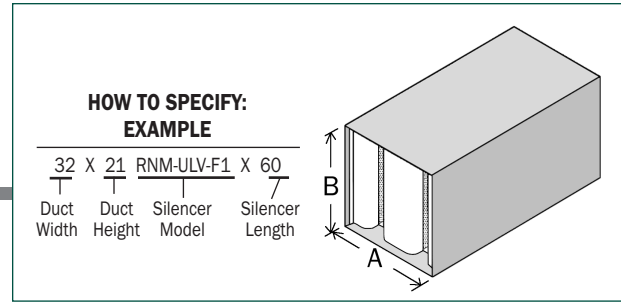


CERTIFIED PERFORMANCE DATA



Insertion Loss (IL)

LENGTH (inches)	FACE VELOCITY (feet per minute)	OCTAVE BAND - Hz/DYNAMIC INSERTION LOSS (dB)							
		63	125	250	500	1000	2000	4000	8000
36	- 500	5	5	18	13	12	11	10	10
	0	5	4	15	10	10	10	10	9
	+ 500	6	5	17	12	11	10	9	9
60	- 500	8	8	20	16	15	11	12	10
	0	8	6	16	14	13	12	12	12
	+ 500	8	8	19	15	13	12	11	11
84	- 500	10	10	23	20	17	14	13	11
	0	10	8	19	16	16	14	14	13
	+ 500	10	10	22	19	17	14	13	12
108	- 500	12	12	25	24	20	16	15	13
	0	12	10	21	19	19	15	15	14
	+ 500	12	12	24	22	20	16	15	14

+ : "forward flow" where noise & airflow move in same direction (e.g. supply side)

- : "reverse flow" where noise & airflow move in opposite directions (e.g. return side)

See pages 4.1 - 4.25 for selection information.

Pressure Drop (PD)

LENGTH (inches)	FACE VELOCITY (feet per minute) / Pressure Drop (in.w.g.)						
	250	500	750	1000	1250	1500	1750
36	0.03	0.11	0.25	0.45	0.70	1.01	1.38
60	0.03	0.14	0.31	0.55	0.85	1.23	1.67
84	0.04	0.15	0.34	0.61	0.95	1.36	1.85
108	0.04	0.17	0.37	0.67	1.04	1.50	2.04

Acceptable (0 - 0.35")

Caution (>0.35") Pressure Drop may be too high for certain applications

CROSS-SECTION SIZES*
"A" dimension (inches):
15-16
29-32
58-64
87-96
116-128
145-160
174-192
203-224
232-240
"B" dimension:
ANY SIZE
Approx. weight
4.3 lbs/cu.ft.

Pressure drops are reported in accordance with ASTM E477 methods and are based upon IDEAL flow conditions (5 diameters of straight duct on silencer inlet and 10 on outlet). Less than ideal conditions will result in an increase in pressure drop due to System Effects. See Silencer System Effects Data on page 4.19.

Generated Noise (GN) @ 5 sq.ft. face area

LENGTH (inches)	FACE VELOCITY (feet per minute)	OCTAVE BAND - Hz/GENERATED NOISE (dB re 10 ⁻¹² watts)							
		63	125	250	500	1000	2000	4000	8000
ALL	- 750	53	46	46	50	56	58	55	38
	- 500	56	46	45	47	48	49	38	31
	+ 500	56	43	35	42	46	45	34	30
	+ 750	59	47	39	45	51	54	51	36

GN correction chart at right must be used to correct GN to other face areas.

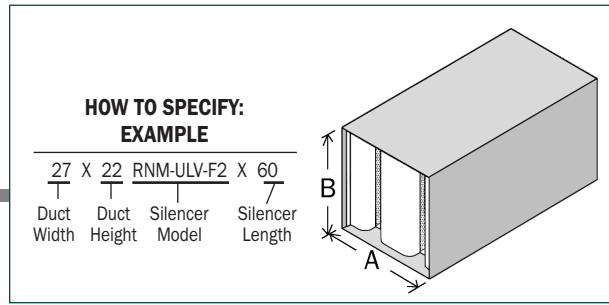


FACE AREA (sq.ft.)	2.5	5	10	20	40	80
dB	-3	0	+3	+6	+9	+12

* To ensure a silencer selection that matches the ductwork dimensions, see page 4.25 or 5.95.

Patents U.S. 4,287,962; CAN. 1,137,877; CAN. 1,160,959

CERTIFIED PERFORMANCE DATA



Insertion Loss (IL)

LENGTH (inches)	FACE VELOCITY (feet per minute)	OCTAVE BAND - Hz/DYNAMIC INSERTION LOSS (dB)							
		63	125	250	500	1000	2000	4000	8000
36	- 500	6	5	16	14	11	10	9	9
	0	6	4	13	11	10	10	10	9
	+ 500	6	5	15	13	11	10	9	9
60	- 500	9	8	18	16	14	11	11	10
	0	8	6	15	15	13	13	12	12
	+ 500	8	8	17	16	14	13	11	11
84	- 500	10	10	20	20	17	13	12	11
	0	10	8	17	17	16	14	13	12
	+ 500	10	10	20	19	16	14	13	12
108	- 500	12	12	23	23	20	15	14	12
	0	12	10	19	19	18	16	15	13
	+ 500	13	12	22	22	19	16	15	14

+ : "forward flow" where noise & airflow move in same direction (e.g. supply side)
- : "reverse flow" where noise & airflow move in opposite directions (e.g. return side)

See pages 4.1 - 4.25 for selection information.

Pressure Drop (PD)

LENGTH (inches)	FACE VELOCITY (feet per minute) / Pressure Drop (in.w.g.)						
	250	500	750	1000	1250	1500	1750
36	0.03	0.11	0.25	0.45	0.70	1.01	1.37
60	0.03	0.14	0.31	0.54	0.85	1.22	1.66
84	0.04	0.15	0.34	0.61	0.95	1.37	1.86
108	0.04	0.17	0.38	0.67	1.04	1.50	2.04

Acceptable (0 - 0.35")

Caution (>0.35") Pressure Drop may be too high for certain applications

CROSS-SECTION SIZES*

"A" dimension (inches):

- 14
- 27-28
- 54-57
- 81-86
- 108-115
- 135-144
- 162-173
- 189-202
- 216-231

"B" dimension: ANY SIZE

Approx. weight 4.3 lbs/cu.ft.

Pressure drops are reported in accordance with ASTM E477 methods and are based upon IDEAL flow conditions (5 diameters of straight duct on silencer inlet and 10 on outlet). Less than ideal conditions will result in an increase in pressure drop due to System Effects. See Silencer System Effects Data on page 4.19.

Generated Noise (GN) @ 5 sq.ft. face area

LENGTH (inches)	FACE VELOCITY (feet per minute)	OCTAVE BAND - Hz/GENERATED NOISE (dB re 10 ⁻¹² watts)							
		63	125	250	500	1000	2000	4000	8000
ALL	- 750	53	46	45	50	55	58	54	38
	- 500	55	45	44	46	49	49	38	31
	+ 500	55	43	35	42	46	45	35	30
	+ 750	58	47	40	45	51	54	51	36

GN correction chart at right must be used to correct GN to other face areas.

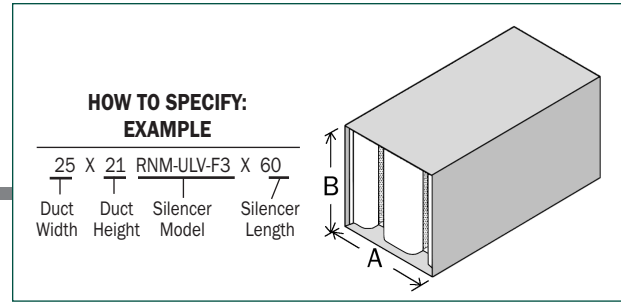


FACE AREA (sq.ft.)	2.5	5	10	20	40	80
dB	-3	0	+3	+6	+9	+12

* To ensure a silencer selection that matches the ductwork dimensions, see page 4.25 or 5.95.

Patents U.S. 4,287,962; CAN. 1,137,877; CAN. 1,160,959

CERTIFIED PERFORMANCE DATA



Insertion Loss (IL)

LENGTH (inches)	FACE VELOCITY (feet per minute)	OCTAVE BAND - Hz/DYNAMIC INSERTION LOSS (dB)							
		63	125	250	500	1000	2000	4000	8000
36	- 500	7	6	14	14	11	10	8	8
	0	6	4	12	13	10	10	10	8
	+ 500	6	5	13	14	11	11	9	9
60	- 500	10	9	16	17	14	11	10	9
	0	9	6	13	16	13	13	12	11
	+ 500	9	7	15	17	14	13	11	11
84	- 500	11	11	18	20	17	13	11	10
	0	10	8	15	17	16	14	13	11
	+ 500	11	9	17	19	16	15	13	12
108	- 500	13	12	20	22	20	15	13	11
	0	12	9	18	20	18	16	14	12
	+ 500	13	11	20	22	19	16	15	14

+ : "forward flow" where noise & airflow move in same direction (e.g. supply side)

- : "reverse flow" where noise & airflow move in opposite directions (e.g. return side)

See pages 4.1 - 4.25 for selection information.

Pressure Drop (PD)

LENGTH (inches)	FACE VELOCITY (feet per minute) / Pressure Drop (in.w.g.)						
	250	500	750	1000	1250	1500	1750
36	0.03	0.11	0.25	0.45	0.70	1.01	1.37
60	0.03	0.14	0.30	0.54	0.85	1.22	1.66
84	0.04	0.15	0.34	0.61	0.96	1.38	1.87
108	0.04	0.17	0.38	0.67	1.04	1.50	2.05

Acceptable (0 - 0.35")

Caution (>0.35") Pressure Drop may be too high for certain applications

CROSS-SECTION SIZES*
"A" dimension (inches):
13
25-26
50-53
75-80
100-107
125-134
150-161
175-188
200-215
225-240
"B" dimension:
ANY SIZE
Approx. weight
4.4 lbs/cu.ft.

Pressure drops are reported in accordance with ASTM E477 methods and are based upon IDEAL flow conditions (5 diameters of straight duct on silencer inlet and 10 on outlet). Less than ideal conditions will result in an increase in pressure drop due to System Effects. See Silencer System Effects Data on page 4.19.

Generated Noise (GN) @ 5 sq.ft. face area

LENGTH (inches)	FACE VELOCITY (feet per minute)	OCTAVE BAND - Hz/GENERATED NOISE (dB re 10 ⁻¹² watts)							
		63	125	250	500	1000	2000	4000	8000
ALL	- 750	54	46	44	49	54	57	53	37
	- 500	54	44	43	46	49	49	38	31
	+ 500	54	43	36	41	46	46	36	31
	+ 750	56	47	42	45	51	54	51	36

GN correction chart at right must be used to correct GN to other face areas.

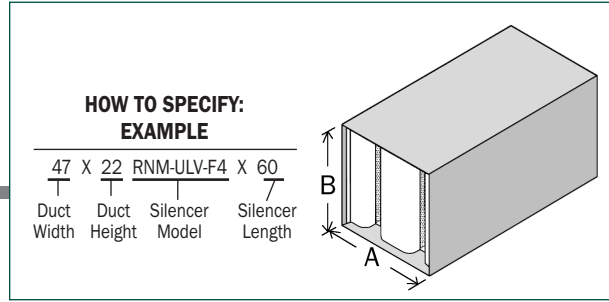


FACE AREA (sq.ft.)	2.5	5	10	20	40	80
dB	-3	0	+3	+6	+9	+12

* To ensure a silencer selection that matches the duct-work dimensions, see page 4.25 or 5.95.

Patents U.S. 4,287,962; CAN. 1,137,877; CAN. 1,160,959

CERTIFIED PERFORMANCE DATA



Insertion Loss (IL)

LENGTH (inches)	FACE VELOCITY (feet per minute)	OCTAVE BAND - Hz/DYNAMIC INSERTION LOSS (dB)							
		63	125	250	500	1000	2000	4000	8000
36	- 500	8	6	12	15	11	10	8	8
	0	7	4	10	14	11	10	9	8
	+ 500	7	5	11	15	11	11	10	9
60	- 500	11	9	14	18	14	11	9	8
	0	9	7	12	17	13	13	12	11
	+ 500	9	7	13	18	14	13	12	11
84	- 500	11	11	16	20	17	12	10	9
	0	10	8	14	18	15	15	12	11
	+ 500	11	9	15	19	16	15	13	12
108	- 500	14	12	18	21	19	14	12	10
	0	12	9	16	20	18	16	14	12
	+ 500	14	11	18	21	19	17	14	13

+ : "forward flow" where noise & airflow move in same direction (e.g. supply side)

- : "reverse flow" where noise & airflow move in opposite directions (e.g. return side)

See pages 4.1 - 4.25 for selection information.

Pressure Drop (PD)

LENGTH (inches)	FACE VELOCITY (feet per minute) / Pressure Drop (in.w.g.)						
	250	500	750	1000	1250	1500	1750
36	0.03	0.11	0.25	0.45	0.70	1.00	1.36
60	0.03	0.14	0.30	0.54	0.84	1.22	1.65
84	0.04	0.15	0.35	0.62	0.96	1.38	1.88
108	0.04	0.17	0.38	0.67	1.05	1.51	2.05

Acceptable (0 - 0.35")

Caution (>0.35") Pressure Drop may be too high for certain applications

CROSS-SECTION SIZES*

"A" dimension (inches):

- 12
- 23-24
- 46-49
- 69-74
- 92-99
- 115-124
- 138-149
- 161-174
- 184-199
- 207-224
- 230-240

"B" dimension:

ANY SIZE

Approx. weight

4.6 lbs/cu.ft.

Pressure drops are reported in accordance with ASTM E477 methods and are based upon IDEAL flow conditions (5 diameters of straight duct on silencer inlet and 10 on outlet). Less than ideal conditions will result in an increase in pressure drop due to System Effects. See Silencer System Effects Data on page 4.19.

Generated Noise (GN) @ 5 sq.ft. face area

LENGTH (inches)	FACE VELOCITY (feet per minute)	OCTAVE BAND - Hz/GENERATED NOISE (dB re 10 ⁻¹² watts)							
		63	125	250	500	1000	2000	4000	8000
ALL	- 750	54	47	43	49	54	57	52	37
	- 500	54	43	42	46	49	49	38	31
	+ 500	54	42	36	41	47	47	37	31
	+ 750	55	47	43	45	51	54	51	37

GN correction chart at right must be used to correct GN to other face areas.

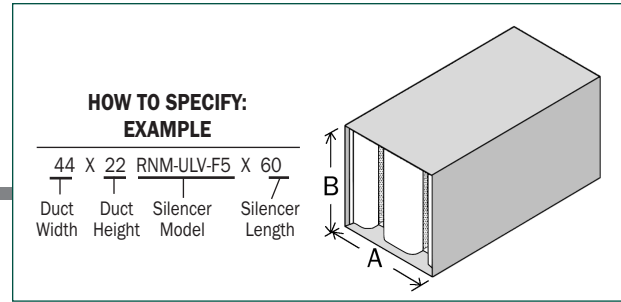


FACE AREA (sq.ft.)	2.5	5	10	20	40	80
dB	-3	0	+3	+6	+9	+12

* To ensure a silencer selection that matches the duct-work dimensions, see page 4.25 or 5.95.

Patents U.S. 4,287,962; CAN. 1,137,877; CAN. 1,160,959

CERTIFIED PERFORMANCE DATA



Insertion Loss (IL)

LENGTH (inches)	FACE VELOCITY (feet per minute)	OCTAVE BAND - Hz/DYNAMIC INSERTION LOSS (dB)							
		63	125	250	500	1000	2000	4000	8000
36	- 500	7	6	11	14	12	10	8	8
	0	6	4	10	13	12	11	9	8
	+ 500	6	5	11	14	12	11	10	9
60	- 500	10	9	14	17	16	12	10	9
	0	9	7	11	16	15	13	12	11
	+ 500	9	7	13	18	15	14	12	11
84	- 500	11	11	16	19	18	13	11	10
	0	9	8	13	18	17	15	13	11
	+ 500	10	9	15	19	18	16	13	12
108	- 500	14	13	18	21	20	15	12	10
	0	12	9	15	19	19	17	14	13
	+ 500	14	11	18	21	20	18	15	14

+ : "forward flow" where noise & airflow move in same direction (e.g. supply side)

- : "reverse flow" where noise & airflow move in opposite directions (e.g. return side)

See pages 4.1 - 4.25 for selection information.

Pressure Drop (PD)

LENGTH (inches)	FACE VELOCITY (feet per minute) / Pressure Drop (in.w.g.)						
	250	500	750	1000	1250	1500	1750
36	0.03	0.11	0.26	0.46	0.71	1.03	1.40
60	0.03	0.14	0.31	0.55	0.86	1.24	1.68
84	0.04	0.16	0.35	0.62	0.97	1.40	1.91
108	0.04	0.17	0.39	0.69	1.08	1.55	2.11

Acceptable (0 - 0.35")

Caution (>0.35") Pressure Drop may be too high for certain applications

CROSS-SECTION SIZES*

"A" dimension (inches):

11
21-22
42-45
63-68
84-91
105-114
126-137
147-160
168-183
189-206
210-229
231-240

"B" dimension: ANY SIZE

Approx. weight 4.8 lbs/cu.ft.

Pressure drops are reported in accordance with ASTM E477 methods and are based upon IDEAL flow conditions (5 diameters of straight duct on silencer inlet and 10 on outlet). Less than ideal conditions will result in an increase in pressure drop due to System Effects. See Silencer System Effects Data on page 4.19.

Generated Noise (GN) @ 5 sq.ft. face area

LENGTH (inches)	FACE VELOCITY (feet per minute)	OCTAVE BAND - Hz/GENERATED NOISE (dB re 10 ⁻¹² watts)							
		63	125	250	500	1000	2000	4000	8000
ALL	- 750	55	47	43	49	54	57	52	37
	- 500	54	43	42	46	50	49	38	31
	+ 500	53	42	37	42	47	47	37	31
	+ 750	54	47	43	45	51	54	51	37

GN correction chart at right must be used to correct GN to other face areas.

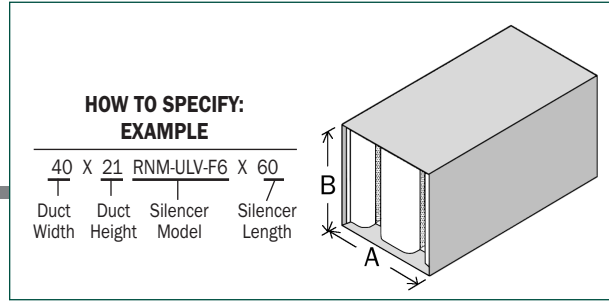


FACE AREA (sq.ft.)	2.5	5	10	20	40	80
dB	-3	0	+3	+6	+9	+12

* To ensure a silencer selection that matches the duct-work dimensions, see page 4.25 or 5.95.

Patents U.S. 4,287,962; CAN. 1,137,877; CAN. 1,160,959

CERTIFIED PERFORMANCE DATA



Insertion Loss (IL)

LENGTH (inches)	FACE VELOCITY (feet per minute)	OCTAVE BAND - Hz/DYNAMIC INSERTION LOSS (dB)							
		63	125	250	500	1000	2000	4000	8000
36	- 500	7	6	11	13	13	11	8	8
	0	6	4	9	12	13	11	10	8
	+ 500	6	5	10	13	13	11	10	9
60	- 500	10	9	14	17	17	12	10	9
	0	8	7	11	16	16	14	12	11
	+ 500	8	8	13	17	17	14	12	11
84	- 500	10	11	15	19	20	14	12	10
	0	9	8	13	17	19	16	13	12
	+ 500	9	10	15	19	20	16	14	13
108	- 500	14	13	18	20	22	16	13	11
	0	12	10	15	19	20	18	15	14
	+ 500	13	12	17	20	21	18	15	15

+ : "forward flow" where noise & airflow move in same direction (e.g. supply side)
- : "reverse flow" where noise & airflow move in opposite directions (e.g. return side)

See pages 4.1 - 4.25 for selection information.

Pressure Drop (PD)

LENGTH (inches)	FACE VELOCITY (feet per minute) / Pressure Drop (in.w.g.)						
	250	500	750	1000	1250	1500	1750
36	0.03	0.12	0.26	0.47	0.73	1.05	1.43
60	0.04	0.14	0.32	0.56	0.88	1.26	1.72
84	0.04	0.16	0.36	0.63	0.99	1.42	1.93
108	0.04	0.18	0.40	0.71	1.11	1.60	2.17

Acceptable (0 - 0.35")
Caution (>0.35") Pressure Drop may be too high for certain applications

CROSS-SECTION SIZES*

- "A" dimension (inches):
10
19-20
38-41
57-62
76-83
95-104
114-125
133-146
152-167
171-188
190-240

"B" dimension:
ANY SIZE

Approx. weight
4.9 lbs/cu.ft.

Pressure drops are reported in accordance with ASTM E477 methods and are based upon IDEAL flow conditions (5 diameters of straight duct on silencer inlet and 10 on outlet). Less than ideal conditions will result in an increase in pressure drop due to System Effects. See Silencer System Effects Data on page 4.19.

Generated Noise (GN) @ 5 sq.ft. face area

LENGTH (inches)	FACE VELOCITY (feet per minute)	OCTAVE BAND - Hz/GENERATED NOISE (dB re 10 ⁻¹² watts)							
		63	125	250	500	1000	2000	4000	8000
ALL	- 750	55	47	43	48	54	57	52	37
	- 500	54	43	42	46	50	49	38	31
	+ 500	53	42	37	43	47	47	37	31
	+ 750	54	47	43	46	51	55	51	37

GN correction chart at right must be used to correct GN to other face areas.

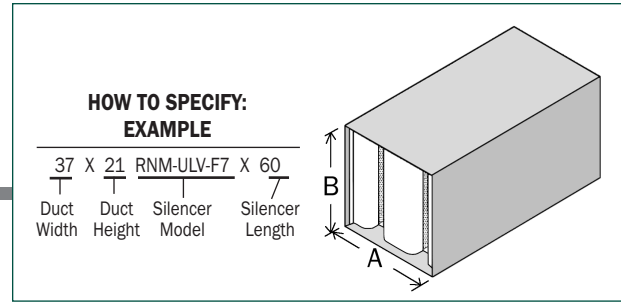


FACE AREA (sq.ft.)	2.5	5	10	20	40	80
dB	-3	0	+3	+6	+9	+12

* To ensure a silencer selection that matches the duct-work dimensions, see page 4.25 or 5.95.

Patents U.S. 4,287,962; CAN. 1,137,877; CAN. 1,160,959

CERTIFIED PERFORMANCE DATA



Insertion Loss (IL)

LENGTH (inches)	FACE VELOCITY (feet per minute)	OCTAVE BAND - Hz/DYNAMIC INSERTION LOSS (dB)							
		63	125	250	500	1000	2000	4000	8000
36	- 500	6	6	10	13	14	11	8	8
	0	6	4	9	12	14	11	10	9
	+ 500	5	5	10	13	15	12	10	9
60	- 500	9	9	13	17	19	13	11	10
	0	8	7	11	16	18	14	12	11
	+ 500	8	8	12	17	18	15	12	12
84	- 500	9	11	15	19	22	15	12	11
	0	8	8	12	17	21	16	14	13
	+ 500	8	10	14	18	22	17	14	13
108	- 500	13	14	17	20	23	17	13	12
	0	11	10	15	19	21	19	16	14
	+ 500	13	12	17	20	22	19	16	16

+ : "forward flow" where noise & airflow move in same direction (e.g. supply side)

- : "reverse flow" where noise & airflow move in opposite directions (e.g. return side)

See pages 4.1 - 4.25 for selection information.

Pressure Drop (PD)

LENGTH (inches)	FACE VELOCITY (feet per minute) / Pressure Drop (in.w.g.)						
	250	500	750	1000	1250	1500	1750
36	0.03	0.12	0.27	0.48	0.75	1.07	1.46
60	0.04	0.14	0.32	0.57	0.89	1.28	1.75
84	0.04	0.16	0.36	0.64	1.00	1.44	1.96
108	0.05	0.18	0.41	0.73	1.14	1.64	2.24

Acceptable (0 - 0.35")

Caution (>0.35") Pressure Drop may be too high for certain applications

CROSS-SECTION SIZES*
"A" dimension (inches):
9
17-18
33-37
50-56
66-75
83-94
99-113
116-240
"B" dimension:
ANY SIZE
Approx. weight
5.1 lbs/cu.ft.

Pressure drops are reported in accordance with ASTM E477 methods and are based upon IDEAL flow conditions (5 diameters of straight duct on silencer inlet and 10 on outlet). Less than ideal conditions will result in an increase in pressure drop due to System Effects. See Silencer System Effects Data on page 4.19.

Generated Noise (GN) @ 5 sq.ft. face area

LENGTH (inches)	FACE VELOCITY (feet per minute)	OCTAVE BAND - Hz/GENERATED NOISE (dB re 10 ⁻¹² watts)							
		63	125	250	500	1000	2000	4000	8000
ALL	- 750	55	47	43	48	54	57	53	37
	- 500	54	43	42	46	51	49	39	31
	+ 500	52	42	37	44	47	47	37	31
	+ 750	54	47	43	46	51	55	51	37

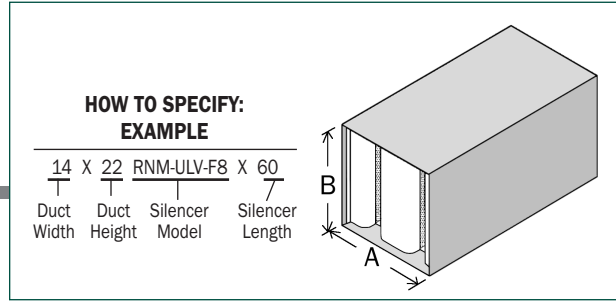
GN correction chart at right must be used to correct GN to other face areas.

FACE AREA (sq.ft.)	2.5	5	10	20	40	80
dB	-3	0	+3	+6	+9	+12

* To ensure a silencer selection that matches the duct-work dimensions, see page 4.25 or 5.95.

Patents U.S. 4,287,962; CAN. 1,137,877; CAN. 1,160,959

CERTIFIED PERFORMANCE DATA



Insertion Loss (IL)

LENGTH (inches)	FACE VELOCITY (feet per minute)	OCTAVE BAND - Hz/DYNAMIC INSERTION LOSS (dB)							
		63	125	250	500	1000	2000	4000	8000
36	- 500	7	7	9	20	9	11	10	10
	0	4	5	8	19	8	11	11	10
	+ 500	4	6	8	19	8	11	10	9
60	- 500	10	11	13	25	16	15	15	14
	0	6	8	11	23	14	14	13	12
	+ 500	7	10	12	24	14	14	14	12
84	- 500	13	14	15	26	18	16	16	15
	0	9	11	12	24	16	16	16	15
	+ 500	10	12	14	25	16	16	16	15
108	- 500	16	18	18	27	20	18	17	16
	0	12	13	14	26	18	17	18	18
	+ 500	13	15	17	27	18	17	19	18

+ : "forward flow" where noise & airflow move in same direction (e.g. supply side)
- : "reverse flow" where noise & airflow move in opposite directions (e.g. return side)

See pages 4.1 - 4.25 for selection information.

Pressure Drop (PD)

LENGTH (inches)	FACE VELOCITY (feet per minute) / Pressure Drop (in.w.g.)						
	250	500	750	1000	1250	1500	1750
36	0.03	0.13	0.28	0.51	0.79	1.14	1.55
60	0.04	0.15	0.33	0.60	0.93	1.34	1.82
84	0.04	0.17	0.38	0.68	1.06	1.52	2.07
108	0.05	0.19	0.43	0.76	1.19	1.71	2.33

Acceptable (0 - 0.35")

Caution (>0.35") Pressure Drop may be too high for certain applications

CROSS-SECTION SIZES*
"A" dimension (inches):
7-8
14-16
27-32
41-49
54-65
68-240
"B" dimension:
ANY SIZE
Approx. weight
5.7 lbs/cu.ft.

Pressure drops are reported in accordance with ASTM E477 methods and are based upon IDEAL flow conditions (5 diameters of straight duct on silencer inlet and 10 on outlet). Less than ideal conditions will result in an increase in pressure drop due to System Effects. See Silencer System Effects Data on page 4.19.

Generated Noise (GN) @ 5 sq.ft. face area

LENGTH (inches)	FACE VELOCITY (feet per minute)	OCTAVE BAND - Hz/GENERATED NOISE (dB re 10 ⁻¹² watts)							
		63	125	250	500	1000	2000	4000	8000
ALL	- 750	55	45	41	45	55	57	54	36
	- 500	61	44	42	49	51	47	37	30
	+ 500	51	42	36	43	46	43	31	30
	+ 750	55	45	37	42	51	53	48	30

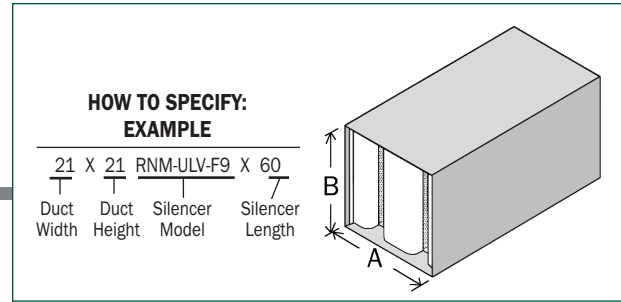
* To ensure a silencer selection that matches the duct-work dimensions, see page 4.25 or 5.95.

GN correction chart at right must be used to correct GN to other face areas.

FACE AREA (sq.ft.)	2.5	5	10	20	40	80
dB	-3	0	+3	+6	+9	+12

Patents U.S. 4,287,962; CAN. 1,137,877; CAN. 1,160,959

CERTIFIED PERFORMANCE DATA



Insertion Loss (IL)

LENGTH (inches)	FACE VELOCITY (feet per minute)	OCTAVE BAND - Hz/DYNAMIC INSERTION LOSS (dB)							
		63	125	250	500	1000	2000	4000	8000
36	- 500	5	5	8	10	17	12	8	8
	0	4	4	7	10	17	12	10	10
	+ 500	4	4	8	11	18	12	10	9
60	- 500	8	9	13	16	24	15	12	11
	0	6	7	10	15	23	15	12	12
	+ 500	7	8	12	16	23	16	13	13
84	- 500	7	11	14	17	27	18	14	13
	0	5	9	11	16	27	18	15	14
	+ 500	6	10	13	17	27	18	15	14
108	- 500	12	15	17	18	26	20	14	13
	0	11	11	14	17	25	22	17	17
	+ 500	12	13	16	18	25	22	18	18

+ : "forward flow" where noise & airflow move in same direction (e.g. supply side)

- : "reverse flow" where noise & airflow move in opposite directions (e.g. return side)

See pages 4.1 - 4.25 for selection information.

Pressure Drop (PD)

LENGTH (inches)	FACE VELOCITY (feet per minute) / Pressure Drop (in.w.g.)						
	250	500	750	1000	1250	1500	1750
36	0.03	0.13	0.29	0.51	0.80	1.15	1.56
60	0.04	0.15	0.34	0.60	0.94	1.35	1.84
84	0.04	0.17	0.37	0.67	1.04	1.50	2.04
108	0.05	0.20	0.44	0.79	1.23	1.78	2.42

Acceptable (0 - 0.35")

Caution (>0.35") Pressure Drop may be too high for certain applications

CROSS-SECTION SIZES*
"A" dimension (inches):
6
10-13
20-26
30-240
"B" dimension:
ANY SIZE
Approx. weight
6.4 lbs/cu.ft.

Pressure drops are reported in accordance with ASTM E477 methods and are based upon IDEAL flow conditions (5 diameters of straight duct on silencer inlet and 10 on outlet). Less than ideal conditions will result in an increase in pressure drop due to System Effects. See Silencer System Effects Data on page 4.19.

Generated Noise (GN) @ 5 sq.ft. face area

LENGTH (inches)	FACE VELOCITY (feet per minute)	OCTAVE BAND - Hz/GENERATED NOISE (dB re 10 ⁻¹² watts)							
		63	125	250	500	1000	2000	4000	8000
ALL	- 750	56	47	43	47	55	58	53	38
	- 500	55	43	42	47	52	50	39	31
	+ 500	51	42	39	46	47	47	36	31
	+ 750	52	47	42	46	51	56	52	37

* To ensure a silencer selection that matches the ductwork dimensions, see page 4.25 or 5.95.

GN correction chart at right must be used to correct GN to other face areas.



FACE AREA (sq.ft.)	2.5	5	10	20	40	80
dB	-3	0	+3	+6	+9	+12

Patents U.S. 4,287,962; CAN. 1,137,877; CAN. 1,160,959