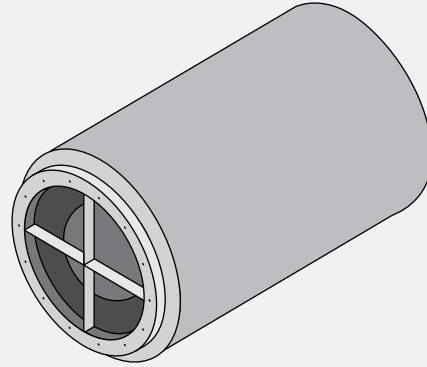


SILENCER SHEETS INDUSTRIAL NOISE CONTROL

VIBRO-ACOUSTICS®
A Swegon Group company

CD-D

Circular Dissipative
Centrifugal Fan
Discharge Silencer



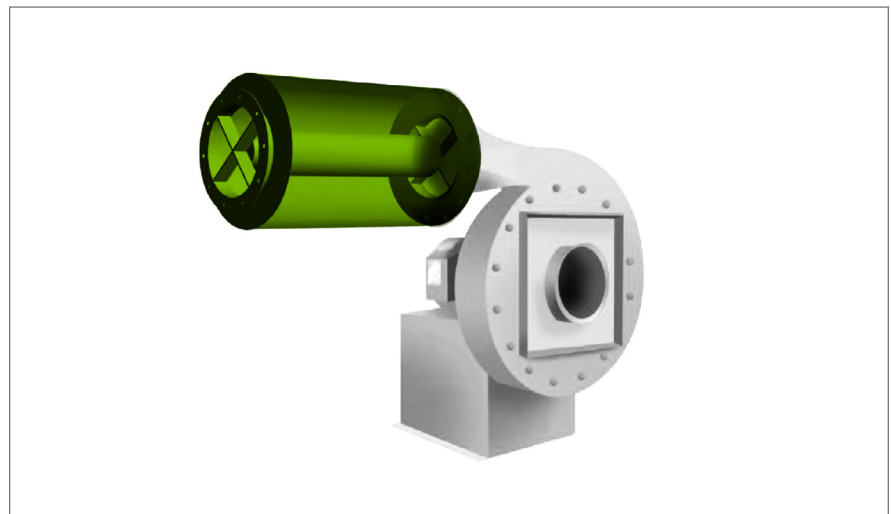
Description

THE VIBRO-ACOUSTICS CD-D

silencer is fitted with a continuous flange and an aerodynamic design. This configuration is suitable for the high velocity and pressure associated with high pressure blowers. CD-D silencers are designed to minimize pressure loss and generated noise in these installations.

Standard Features

- > HRS casing with external prime painting and continuously welded seams
- > External gauges compatible with fan construction
- > Inlet and outlet flanges with customer specified hole pattern
- > 16 ga. galvanized perforated internal liner
- > Centerbody designed to reduce fan system effects
- > Internal stiffeners
- > Acoustic grade fiberglass media fill under minimum



- 15% compression with fiberglass cloth protection
- > 1 in. x 1 in. x 16 ga. galvanized birdscreen protection

Accessories

- > Rain hoods
- > Inlet filter housings
- > Duct transitions or spool pieces
- > Bolt and gasket kits
- > Flow measurement probes

Options

- > Special painting systems
- > Corrosive resistant coatings
- > Support legs
- > Support brackets
- > Drainage connection
- > Removable birdscreen
- > All galvanized or stainless steel construction materials
- > Custom designs and configurations for special space and performance requirements