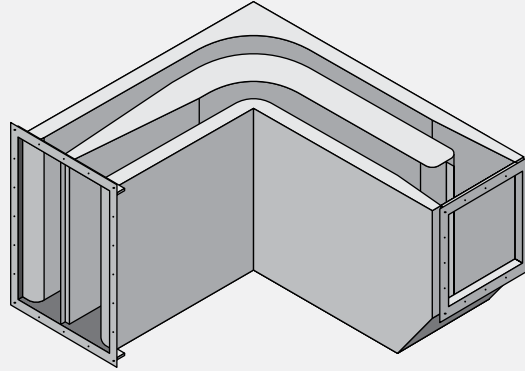


# SILENCER SHEETS

## INDUSTRIAL NOISE CONTROL

# RED-D

Rectangular  
Elbow Dissipative  
Centrifugal  
Fan Silencer



## Description

**THE VIBRO-ACOUSTICS RED-D** is designed to fit a fan's discharge without the use of a transition duct. For installations with limited available space, the elbow silencer is an ideal choice, offering an aerodynamically efficient method to attenuate fan noise. Internal and transitional casing designs are based on the magnitude of the fan discharge velocity. The relatively low air velocity at the RED-D outlet ensures both low generated noise and reduced pressure losses due to the sudden dynamic pressure change (dump-loss).

## Standard Features

- > HRS casing with external prime painting and continuously welded seams
- > Transitional casing
- > External gauges compatible with fan construction
- > Inlet and outlet flanges with customer specified hole pattern
- > 16 ga. galvanized perforated internal liner
- > Internal stiffeners
- > Acoustic grade fiberglass media fill under minimum 15% compression with fiberglass cloth protection
- > 1 in. x 1 in. x 16 ga. galvanized birdscreen protection

## Accessories

- > Rain hoods
- > Additional duct transitions
- > Bolt and gasket kits
- > Flow measurement probes

## Options

- > Special painting systems
- > Corrosive resistant coatings
- > Support brackets
- > Drainage connection
- > Access panel
- > Removable birdscreen
- > All galvanized or stainless steel construction materials
- > Custom designs and configurations for special space and performance requirements

