

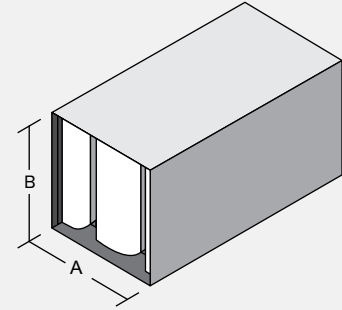
## RFL-HV-F1

Rectangular Film Lined  
High velocity silencer  
(<2000 fpm)

How to Specify Example:

32 X 21 RFL-HV-F1 X 60

↑ Duct Width    ↑ Duct Height    ↑ Silencer Model    ↑ Silencer Length



### Insertion Loss (IL)

+ : "forward flow" where noise & airflow move in same direction (e.g. supply side)

- : "reverse flow" where noise & airflow move in opposite directions (e.g. return side)

See [Silencer Selection Instructions](#). DIL above 50dB may be limited due to noise flanking around the silencer or along the duct walls. If more than 50dB DIL is required, contact your local Vibro-Acoustics representative or call **1-800-565-8401**.

Length (in.)	Face Velocity (ft. per min)	Octave Band - Hz/Dynamic Insertion Loss (dB)							
		63	125	250	500	1000	2000	4000	8000
36	- 2000	2	5	10	12	12	13	13	8
	0	2	4	9	11	11	11	11	7
	+ 2000	2	3	8	11	11	11	11	6
60	- 2000	5	7	11	14	18	19	13	8
	0	4	5	11	13	17	17	12	7
	+ 2000	4	5	10	13	17	17	13	7
84	- 2000	8	9	12	16	24	24	14	8
	0	7	7	12	15	22	22	14	8
	+ 2000	7	6	11	14	24	23	15	8
108	- 2000	10	11	16	20	29	28	16	8
	0	9	9	15	19	28	25	16	9
	+ 2000	8	8	14	18	29	27	17	9

### Pressure Drop (PD)

Pressure drops are reported in accordance with ASTM E477 methods and are based upon **ideal** flow conditions (5 diameters of straight duct on silencer inlet and 10 on outlet). Less than ideal conditions will result in an increase in pressure drop due to System Effects. See [Silencer System Effects Data](#).

Length (in.)	Face Velocity (ft. per min) / Pressure Drop (in.w.g.)						
	500	1000	1500	1750	2000	2250	2500
36	0.01	0.04	0.09	0.12	0.16	0.20	0.25
60	0.01	0.06	0.12	0.17	0.22	0.28	0.34
84	0.02	0.07	0.16	0.21	0.28	0.35	0.44
108	0.02	0.09	0.19	0.26	0.34	0.43	0.53

Acceptable (0 - 0.35")     Caution (>0.35") Pressure Drop may be too high for certain applications

### Generated Noise (GN)

@ 5 sq.ft. face area

Length (in.)	Face Velocity (ft. per min)	Octave Band - Hz/Generated Noise (dB re 10 <sup>-12</sup> watts)							
		63	125	250	500	1K	2K	4K	8K
All	- 2000	58	54	54	53	54	55	47	38
	- 1250	54	49	47	47	47	44	33	26
	+ 1250	58	47	42	43	42	39	28	25
	+ 2000	60	56	52	52	51	53	46	36

GN correction chart at right must be used to correct GN to other face areas. →

Face Area (sq.ft.)	2.5	5	10	20	40	80
dB	-3	0	+3	+6	+9	+12

**Cross Section Sizes\***

**"A" dimension (in.)**  
15-16  
29-32  
58-64  
87-96  
116-128  
145-160  
174-192  
203-224  
232-240

**"B" dimension**  
ANY SIZE

**Approx. weight**  
5.5 lbs/cu.ft.

See [Rectangular Silencer Cross-Section Dimensions](#) to ensure selection matches ductwork dimensions.

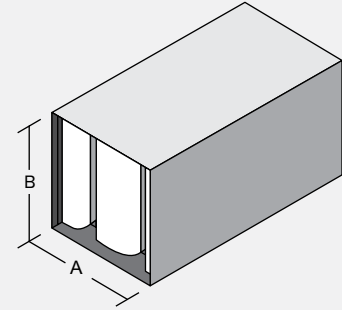
## RFL-HV-F2

Rectangular Film Lined  
High velocity silencer  
(<2000 fpm)

How to Specify Example:

27 X 22 RFL-HV-F2 X 60

↑ Duct Width    ↑ Duct Height    ↑ Silencer Model    ↑ Silencer Length



### Insertion Loss (IL)

+ : "forward flow" where noise & airflow move in same direction (e.g. supply side)

- : "reverse flow" where noise & airflow move in opposite directions (e.g. return side)

See [Silencer Selection Instructions](#). DIL above 50dB may be limited due to noise flanking around the silencer or along the duct walls. If more than 50dB DIL is required, contact your local Vibro-Acoustics representative or call **1-800-565-8401**.

Length (in.)	Face Velocity (ft. per min)	Octave Band - Hz/Dynamic Insertion Loss (dB)							
		63	125	250	500	1000	2000	4000	8000
36	- 2000	3	5	9	13	13	12	11	7
	0	2	4	9	13	11	11	10	6
	+ 2000	1	3	8	11	12	11	10	5
60	- 2000	6	6	10	15	19	19	13	7
	0	5	5	10	15	18	17	11	7
	+ 2000	4	4	9	13	18	18	12	6
84	- 2000	9	8	12	17	26	25	14	7
	0	7	7	12	17	25	24	13	7
	+ 2000	7	6	10	15	25	25	14	7
108	- 2000	10	10	15	22	32	29	15	8
	0	8	9	15	21	31	28	15	8
	+ 2000	7	8	14	20	32	29	16	8

### Pressure Drop (PD)

Pressure drops are reported in accordance with ASTM E477 methods and are based upon **ideal** flow conditions (5 diameters of straight duct on silencer inlet and 10 on outlet). Less than ideal conditions will result in an increase in pressure drop due to System Effects. See [Silencer System Effects Data](#).

Length (in.)	Face Velocity (ft. per min) / Pressure Drop (in.w.g.)						
	500	1000	1500	1750	2000	2250	2500
36	0.01	0.04	0.09	0.12	0.16	0.20	0.25
60	0.01	0.05	0.12	0.16	0.21	0.27	0.33
84	0.02	0.07	0.16	0.21	0.28	0.35	0.44
108	0.02	0.08	0.18	0.25	0.32	0.41	0.50

Acceptable (0 - 0.35")     Caution (>0.35") Pressure Drop may be too high for certain applications

### Generated Noise (GN)

@ 5 sq.ft. face area

Length (in.)	Face Velocity (ft. per min)	Octave Band - Hz/Generated Noise (dB re 10 <sup>-12</sup> watts)							
		63	125	250	500	1K	2K	4K	8K
All	- 2000	58	55	54	54	55	56	47	38
	- 1250	53	50	47	48	47	44	33	26
	+ 1250	57	48	42	43	42	39	28	25
	+ 2000	60	57	53	52	51	53	47	37

GN correction chart at right must be used to correct GN to other face areas. →

Face Area (sq.ft.)	2.5	5	10	20	40	80
dB	-3	0	+3	+6	+9	+12

**Cross Section Sizes\***

**"A" dimension (in.)**  
14  
27-28  
54-57  
81-86  
108-115  
135-144  
162-173  
189-202  
216-231

**"B" dimension**  
ANY SIZE

**Approx. weight**  
5.4 lbs/cu.ft.

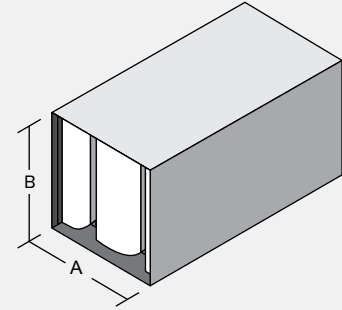
See [Rectangular Silencer Cross-Section Dimensions](#) to ensure selection matches ductwork dimensions.

## RFL-HV-F3

Rectangular Film Lined  
High velocity silencer  
(<2000 fpm)

How to Specify Example:

25 X 21 RFL-HV-F3 X 60  
 ↑ Duct Width    ↑ Duct Height    ↑ Silencer Model    ↑ Silencer Length



### Insertion Loss (IL)

+ : "forward flow" where noise & airflow move in same direction (e.g. supply side)

- : "reverse flow" where noise & airflow move in opposite directions (e.g. return side)

See [Silencer Selection Instructions](#). DIL above 50dB may be limited due to noise flanking around the silencer or along the duct walls. If more than 50dB DIL is required, contact your local Vibro-Acoustics representative or call **1-800-565-8401**.

Length (in.)	Face Velocity (ft. per min)	Octave Band - Hz/Dynamic Insertion Loss (dB)							
		63	125	250	500	1000	2000	4000	8000
36	- 2000	3	4	9	13	13	12	10	6
	0	2	3	9	14	12	11	9	6
	+ 2000	1	3	7	12	13	11	9	5
60	- 2000	7	6	10	15	21	19	12	6
	0	5	5	10	16	19	18	11	6
	+ 2000	4	4	8	14	19	19	12	6
84	- 2000	10	8	11	17	28	26	14	7
	0	8	7	11	18	27	25	12	7
	+ 2000	7	6	9	15	26	28	14	6
108	- 2000	9	10	15	24	36	31	15	7
	0	7	9	14	23	34	30	14	8
	+ 2000	6	8	13	22	35	32	15	8

### Pressure Drop (PD)

Pressure drops are reported in accordance with ASTM E477 methods and are based upon **ideal** flow conditions (5 diameters of straight duct on silencer inlet and 10 on outlet). Less than ideal conditions will result in an increase in pressure drop due to System Effects. See [Silencer System Effects Data](#).

Length (in.)	Face Velocity (ft. per min) / Pressure Drop (in.w.g.)						
	500	1000	1500	1750	2000	2250	2500
36	0.01	0.04	0.09	0.12	0.16	0.20	0.25
60	0.01	0.05	0.12	0.16	0.21	0.26	0.32
84	0.02	0.07	0.16	0.21	0.28	0.35	0.44
108	0.02	0.08	0.17	0.23	0.30	0.38	0.47

Acceptable (0 - 0.35")     Caution (>0.35") Pressure Drop may be too high for certain applications

### Generated Noise (GN)

@ 5 sq.ft. face area

Length (in.)	Face Velocity (ft. per min)	Octave Band - Hz/Generated Noise (dB re 10 <sup>-12</sup> watts)							
		63	125	250	500	1K	2K	4K	8K
All	- 2000	57	55	55	54	55	56	48	38
	- 1250	53	50	47	48	48	44	33	25
	+ 1250	57	49	43	43	42	40	29	25
	+ 2000	59	58	54	52	51	53	47	38

GN correction chart at right must be used to correct GN to other face areas. →

Face Area (sq.ft.)	2.5	5	10	20	40	80
dB	-3	0	+3	+6	+9	+12

**Cross Section Sizes\***

**"A" dimension (in.)**  
13  
25-26  
50-53  
75-80  
100-107  
125-134  
150-161  
175-188  
200-215  
225-240

**"B" dimension ANY SIZE**

**Approx. weight 5.6 lbs/cu.ft.**

See [Rectangular Silencer Cross-Section Dimensions](#) to ensure selection matches ductwork dimensions.

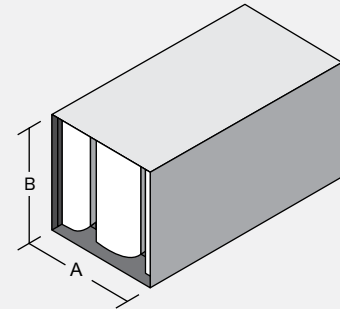
## RFL-HV-F4

Rectangular Film Lined  
High velocity silencer  
(<2000 fpm)

How to Specify Example:

47 X 22 RFL-HV-F4 X 60

↑ Duct Width    ↑ Duct Height    ↑ Silencer Model    ↑ Silencer Length



### Insertion Loss (IL)

+ : "forward flow" where noise & airflow move in same direction (e.g. supply side)

- : "reverse flow" where noise & airflow move in opposite directions (e.g. return side)

See [Silencer Selection Instructions](#). DIL above 50dB may be limited due to noise flanking around the silencer or along the duct walls. If more than 50dB DIL is required, contact your local Vibro-Acoustics representative or call **1-800-565-8401**.

Length (in.)	Face Velocity (ft. per min)	Octave Band - Hz/Dynamic Insertion Loss (dB)							
		63	125	250	500	1000	2000	4000	8000
36	- 2000	3	4	8	13	14	11	9	5
	0	2	3	8	15	13	10	8	5
	+ 2000	1	3	7	12	13	11	8	4
60	- 2000	7	6	9	16	22	19	11	6
	0	5	5	10	18	21	19	10	6
	+ 2000	4	4	7	14	20	21	11	5
84	- 2000	11	7	10	18	31	27	14	7
	0	8	7	11	20	29	27	12	6
	+ 2000	8	5	8	16	27	30	13	6
108	- 2000	8	10	15	26	37	32	14	6
	0	6	8	14	25	37	32	13	7
	+ 2000	5	8	13	24	38	34	14	7

### Pressure Drop (PD)

Pressure drops are reported in accordance with ASTM E477 methods and are based upon **ideal** flow conditions (5 diameters of straight duct on silencer inlet and 10 on outlet). Less than ideal conditions will result in an increase in pressure drop due to System Effects. See [Silencer System Effects Data](#).

Length (in.)	Face Velocity (ft. per min) / Pressure Drop (in.w.g.)						
	500	1000	1500	1750	2000	2250	2500
36	0.01	0.04	0.09	0.12	0.16	0.20	0.25
60	0.01	0.05	0.11	0.15	0.20	0.25	0.31
84	0.02	0.07	0.16	0.21	0.28	0.35	0.44
108	0.02	0.07	0.16	0.21	0.28	0.35	0.44

Acceptable (0 - 0.35")     Caution (>0.35") Pressure Drop may be too high for certain applications

### Generated Noise (GN)

@ 5 sq.ft. face area

Length (in.)	Face Velocity (ft. per min)	Octave Band - Hz/Generated Noise (dB re 10 <sup>-12</sup> watts)							
		63	125	250	500	1K	2K	4K	8K
All	- 2000	56	56	55	54	55	56	48	37
	- 1250	53	50	47	48	48	44	32	25
	+ 1250	56	49	44	43	42	40	29	25
	+ 2000	59	59	54	52	51	54	48	39

GN correction chart at right must be used to correct GN to other face areas. →

Face Area (sq.ft.)	2.5	5	10	20	40	80
dB	-3	0	+3	+6	+9	+12

#### Cross Section Sizes\*

##### "A" dimension (in.)

12  
23-24  
46-49  
69-74  
92-99  
115-124  
138-149  
161-174  
184-199  
207-224  
230-240

##### "B" dimension ANY SIZE

Approx. weight 5.7 lbs/cu.ft.

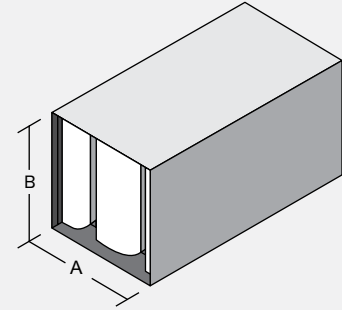
See [Rectangular Silencer Cross-Section Dimensions](#) to ensure selection matches ductwork dimensions.

## RFL-HV-F5

Rectangular Film Lined  
High velocity silencer  
(<2000 fpm)

How to Specify Example:

44 X 22 RFL-HV-F5 X 60  
 ↑ Duct Width    ↑ Duct Height    ↑ Silencer Model    ↑ Silencer Length



### Insertion Loss (IL)

+ : "forward flow" where noise & airflow move in same direction (e.g. supply side)

- : "reverse flow" where noise & airflow move in opposite directions (e.g. return side)

See [Silencer Selection Instructions](#). DIL above 50dB may be limited due to noise flanking around the silencer or along the duct walls. If more than 50dB DIL is required, contact your local Vibro-Acoustics representative or call **1-800-565-8401**.

Length (in.)	Face Velocity (ft. per min)	Octave Band - Hz/Dynamic Insertion Loss (dB)							
		63	125	250	500	1000	2000	4000	8000
36	- 2000	3	4	8	13	15	14	10	5
	0	2	3	8	14	13	13	9	5
	+ 2000	1	3	7	11	14	14	10	4
60	- 2000	7	6	9	16	24	22	13	6
	0	5	5	10	18	22	21	12	6
	+ 2000	4	4	7	14	21	23	13	5
84	- 2000	11	7	10	20	32	30	16	7
	0	8	7	11	21	31	30	14	7
	+ 2000	7	5	8	17	28	32	16	6
108	- 2000	8	10	15	27	38	34	16	6
	0	6	8	14	25	38	34	15	7
	+ 2000	4	7	13	24	39	37	17	8

### Pressure Drop (PD)

Pressure drops are reported in accordance with ASTM E477 methods and are based upon **ideal** flow conditions (5 diameters of straight duct on silencer inlet and 10 on outlet). Less than ideal conditions will result in an increase in pressure drop due to System Effects. See [Silencer System Effects Data](#).

Length (in.)	Face Velocity (ft. per min) / Pressure Drop (in.w.g.)						
	500	1000	1500	1750	2000	2250	2500
36	0.01	0.04	0.09	0.12	0.16	0.20	0.25
60	0.01	0.05	0.12	0.16	0.21	0.26	0.32
84	0.02	0.08	0.17	0.23	0.31	0.39	0.48
108	0.02	0.07	0.17	0.22	0.29	0.37	0.46

Acceptable (0 - 0.35")     Caution (>0.35") Pressure Drop may be too high for certain applications

### Generated Noise (GN)

@ 5 sq.ft. face area

Length (in.)	Face Velocity (ft. per min)	Octave Band - Hz/Generated Noise (dB re 10 <sup>-12</sup> watts)							
		63	125	250	500	1K	2K	4K	8K
All	- 2000	56	55	55	55	55	57	49	39
	- 1250	53	50	47	48	48	45	33	25
	+ 1250	56	49	44	44	43	40	29	25
	+ 2000	59	59	54	53	52	53	48	40

GN correction chart at right must be used to correct GN to other face areas. →

Face Area (sq.ft.)	2.5	5	10	20	40	80
dB	-3	0	+3	+6	+9	+12

**Cross Section Sizes\***

**"A" dimension (in.)**  
 11  
 21-22  
 42-45  
 63-68  
 84-91  
 105-114  
 126-137  
 147-160  
 168-183  
 189-206  
 210-229  
 231-240

**"B" dimension**  
 ANY SIZE

**Approx. weight**  
 5.5 lbs/cu.ft.

See [Rectangular Silencer Cross-Section Dimensions](#) to ensure selection matches ductwork dimensions.

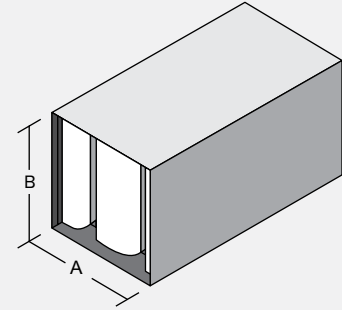
## RFL-HV-F6

Rectangular Film Lined  
High velocity silencer  
(<2000 fpm)

How to Specify Example:

40 X 21 RFL-HV-F6 X 60

↑ Duct Width    ↑ Duct Height    ↑ Silencer Model    ↑ Silencer Length



### Insertion Loss (IL)

+ : "forward flow" where noise & airflow move in same direction (e.g. supply side)

- : "reverse flow" where noise & airflow move in opposite directions (e.g. return side)

See [Silencer Selection Instructions](#). DIL above 50dB may be limited due to noise flanking around the silencer or along the duct walls. If more than 50dB DIL is required, contact your local Vibro-Acoustics representative or call **1-800-565-8401**.

Length (in.)	Face Velocity (ft. per min)	Octave Band - Hz/Dynamic Insertion Loss (dB)							
		63	125	250	500	1000	2000	4000	8000
36	- 2000	3	4	7	12	15	16	11	5
	0	2	3	8	14	14	15	10	5
	+ 2000	1	3	6	11	14	16	11	4
60	- 2000	7	6	9	16	25	24	15	6
	0	5	5	10	18	24	24	13	6
	+ 2000	4	4	7	15	22	26	14	5
84	- 2000	10	7	11	21	34	32	18	8
	0	7	7	12	22	33	33	16	7
	+ 2000	7	6	9	18	30	35	18	7
108	- 2000	7	10	15	27	39	36	18	7
	0	6	8	14	26	39	37	17	7
	+ 2000	4	7	12	24	39	39	20	8

### Pressure Drop (PD)

Pressure drops are reported in accordance with ASTM E477 methods and are based upon **ideal** flow conditions (5 diameters of straight duct on silencer inlet and 10 on outlet). Less than ideal conditions will result in an increase in pressure drop due to System Effects. See [Silencer System Effects Data](#).

Length (in.)	Face Velocity (ft. per min) / Pressure Drop (in.w.g.)						
	500	1000	1500	1750	2000	2250	2500
36	0.01	0.04	0.09	0.12	0.16	0.20	0.25
60	0.01	0.05	0.12	0.16	0.21	0.27	0.33
84	0.02	0.08	0.19	0.26	0.33	0.42	0.52
108	0.02	0.08	0.17	0.23	0.31	0.39	0.48

Acceptable (0 - 0.35")     Caution (>0.35") Pressure Drop may be too high for certain applications

### Generated Noise (GN)

@ 5 sq.ft. face area

Length (in.)	Face Velocity (ft. per min)	Octave Band - Hz/Generated Noise (dB re 10 <sup>-12</sup> watts)							
		63	125	250	500	1K	2K	4K	8K
All	- 2000	56	55	56	55	55	58	50	40
	- 1250	52	50	47	48	49	46	34	26
	+ 1250	56	49	44	44	43	39	29	25
	+ 2000	59	58	55	53	52	53	48	41

GN correction chart at right must be used to correct GN to other face areas. →

Face Area (sq.ft.)	2.5	5	10	20	40	80
dB	-3	0	+3	+6	+9	+12

#### Cross Section Sizes\*

"A" dimension (in.)  
10  
19-20  
38-41  
57-62  
76-83  
95-104  
114-125  
133-146  
152-167  
171-188  
190-240

"B" dimension  
ANY SIZE

Approx. weight  
5.6 lbs/cu.ft.

See [Rectangular Silencer Cross-Section Dimensions](#) to ensure selection matches ductwork dimensions.

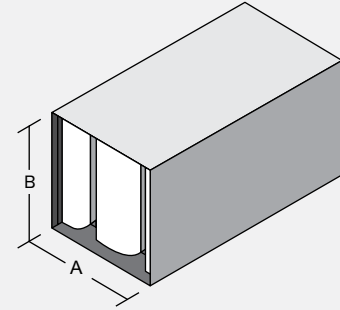
## RFL-HV-F7

Rectangular Film Lined  
High velocity silencer  
(<2000 fpm)

**How to Specify Example:**

**37 X 21 RFL-HV-F7 X 60**

↑ Duct Width    ↑ Duct Height    ↑ Silencer Model    ↑ Silencer Length



### Insertion Loss (IL)

+ : "forward flow" where noise & airflow move in same direction (e.g. supply side)

- : "reverse flow" where noise & airflow move in opposite directions (e.g. return side)

See [Silencer Selection Instructions](#). DIL above 50dB may be limited due to noise flanking around the silencer or along the duct walls. If more than 50dB DIL is required, contact your local Vibro-Acoustics representative or call **1-800-565-8401**.

Length (in.)	Face Velocity (ft. per min)	Octave Band - Hz/Dynamic Insertion Loss (dB)							
		63	125	250	500	1000	2000	4000	8000
36	- 2000	3	4	7	12	16	19	12	5
	0	2	3	7	13	15	17	11	5
	+ 2000	1	3	6	10	15	18	12	4
60	- 2000	6	6	9	17	26	27	16	7
	0	5	5	9	18	25	27	15	6
	+ 2000	4	4	7	15	23	28	16	6
84	- 2000	10	8	12	22	36	35	20	8
	0	7	7	12	23	36	36	19	8
	+ 2000	6	6	9	19	32	38	21	7
108	- 2000	7	9	15	27	39	38	19	7
	0	6	8	13	26	41	39	19	8
	+ 2000	4	7	12	25	40	41	22	9

### Pressure Drop (PD)

Pressure drops are reported in accordance with ASTM E477 methods and are based upon **ideal** flow conditions (5 diameters of straight duct on silencer inlet and 10 on outlet). Less than ideal conditions will result in an increase in pressure drop due to System Effects. See [Silencer System Effects Data](#).

Length (in.)	Face Velocity (ft. per min) / Pressure Drop (in.w.g.)						
	500	1000	1500	1750	2000	2250	2500
36	0.01	0.04	0.09	0.12	0.16	0.20	0.25
60	0.01	0.06	0.12	0.17	0.22	0.28	0.34
84	0.02	0.09	0.20	0.28	0.36	0.46	0.56
108	0.02	0.08	0.18	0.25	0.32	0.41	0.50

Acceptable (0 - 0.35")     Caution (>0.35") Pressure Drop may be too high for certain applications

### Generated Noise (GN)

@ 5 sq.ft. face area

Length (in.)	Face Velocity (ft. per min)	Octave Band - Hz/Generated Noise (dB re 10 <sup>-12</sup> watts)							
		63	125	250	500	1K	2K	4K	8K
All	- 2000	56	55	56	55	56	58	52	41
	- 1250	52	50	46	48	49	47	35	26
	+ 1250	56	49	44	45	44	39	29	25
	+ 2000	59	58	55	54	53	53	48	42

Face Area (sq.ft.)	2.5	5	10	20	40	80
dB	-3	0	+3	+6	+9	+12

GN correction chart at right must be used to correct GN to other face areas. →

**Cross Section Sizes\***

**"A" dimension (in.)**  
9  
17-18  
33-37  
50-56  
66-75  
83-94  
99-113  
116-240

**"B" dimension**  
ANY SIZE

**Approx. weight**  
5.7 lbs/cu.ft.

See [Rectangular Silencer Cross-Section Dimensions](#) to ensure selection matches ductwork dimensions.

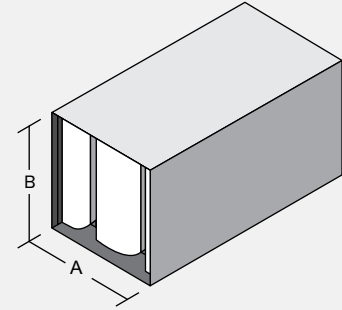
## RFL-HV-F8

Rectangular Film Lined  
High velocity silencer  
(<2000 fpm)

How to Specify Example:

14 X 22 RFL-HV-F8 X 60

↑ Duct Width    ↑ Duct Height    ↑ Silencer Model    ↑ Silencer Length



### Insertion Loss (IL)

+ : "forward flow" where noise & airflow move in same direction (e.g. supply side)

- : "reverse flow" where noise & airflow move in opposite directions (e.g. return side)

See [Silencer Selection Instructions](#). DIL above 50dB may be limited due to noise flanking around the silencer or along the duct walls. If more than 50dB DIL is required, contact your local Vibro-Acoustics representative or call **1-800-565-8401**.

Length (in.)	Face Velocity (ft. per min)	Octave Band - Hz/Dynamic Insertion Loss (dB)							
		63	125	250	500	1000	2000	4000	8000
36	- 2000	2	4	7	11	14	21	17	8
	0	1	3	6	10	14	20	17	8
	+ 2000	1	3	5	9	14	20	17	8
60	- 2000	5	5	10	17	25	24	18	8
	0	3	4	9	17	24	25	19	9
	+ 2000	3	4	8	15	24	26	19	8
84	- 2000	7	6	13	24	35	28	18	8
	0	5	6	12	23	34	30	20	9
	+ 2000	5	5	11	22	34	31	21	9
108	- 2000	9	8	17	31	42	35	21	9
	0	7	7	15	30	44	37	24	10
	+ 2000	7	6	14	28	42	39	25	10

### Pressure Drop (PD)

Pressure drops are reported in accordance with ASTM E477 methods and are based upon **ideal** flow conditions (5 diameters of straight duct on silencer inlet and 10 on outlet). Less than ideal conditions will result in an increase in pressure drop due to System Effects. See [Silencer System Effects Data](#).

Length (in.)	Face Velocity (ft. per min) / Pressure Drop (in.w.g.)						
	500	1000	1500	1750	2000	2250	2500
36	0.01	0.05	0.10	0.14	0.18	0.23	0.28
60	0.02	0.07	0.15	0.21	0.27	0.34	0.42
84	0.02	0.09	0.20	0.28	0.36	0.46	0.56
108	0.03	0.11	0.25	0.34	0.45	0.57	0.70

Acceptable (0 - 0.35")     Caution (>0.35") Pressure Drop may be too high for certain applications

### Generated Noise (GN)

@ 5 sq.ft. face area

Length (in.)	Face Velocity (ft. per min)	Octave Band - Hz/Generated Noise (dB re 10 <sup>-12</sup> watts)							
		63	125	250	500	1K	2K	4K	8K
All	- 2000	58	55	56	56	57	58	53	45
	- 1250	53	47	47	49	48	46	35	28
	+ 1250	57	47	43	46	45	36	27	26
	+ 2000	60	57	54	55	55	51	46	40

GN correction chart at right must be used to correct GN to other face areas. →

Face Area (sq.ft.)	2.5	5	10	20	40	80
dB	-3	0	+3	+6	+9	+12

**Cross Section Sizes\***

**"A" dimension (in.)**  
7-8  
14-16  
27-32  
41-49  
54-65  
68-240

**"B" dimension**  
ANY SIZE

**Approx. weight**  
6.0 lbs/cu.ft.

See [Rectangular Silencer Cross-Section Dimensions](#) to ensure selection matches ductwork dimensions.



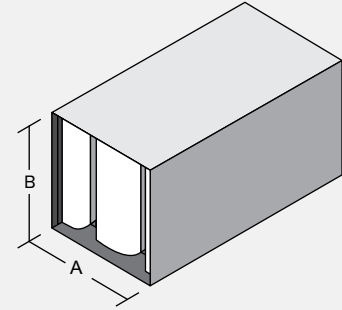
## RFL-HV-F9

Rectangular Film Lined  
High velocity silencer  
(<2000 fpm)

How to Specify Example:

21 X 21 RFL-HV-F9 X 60

↑ Duct Width    ↑ Duct Height    ↑ Silencer Model    ↑ Silencer Length



### Insertion Loss (IL)

+ : "forward flow" where noise & airflow move in same direction (e.g. supply side)

- : "reverse flow" where noise & airflow move in opposite directions (e.g. return side)

See [Silencer Selection Instructions](#). DIL above 50dB may be limited due to noise flanking around the silencer or along the duct walls. If more than 50dB DIL is required, contact your local Vibro-Acoustics representative or call **1-800-565-8401**.

Length (in.)	Face Velocity (ft. per min)	Octave Band - Hz/Dynamic Insertion Loss (dB)							
		63	125	250	500	1000	2000	4000	8000
36	- 2000	2	4	6	10	18	26	15	6
	0	2	3	6	11	18	24	14	6
	+ 2000	1	3	4	8	16	25	15	5
60	- 2000	5	6	10	18	29	35	21	8
	0	4	5	9	19	30	34	20	7
	+ 2000	3	4	7	15	26	35	21	7
84	- 2000	8	8	14	26	41	44	27	10
	0	6	7	13	26	42	45	26	9
	+ 2000	5	6	10	22	36	45	28	9
108	- 2000	6	8	15	29	41	44	25	8
	0	6	7	13	27	44	46	26	8
	+ 2000	4	6	11	25	42	48	30	10

### Pressure Drop (PD)

Pressure drops are reported in accordance with ASTM E477 methods and are based upon **ideal** flow conditions (5 diameters of straight duct on silencer inlet and 10 on outlet). Less than ideal conditions will result in an increase in pressure drop due to System Effects. See [Silencer System Effects Data](#).

Length (in.)	Face Velocity (ft. per min) / Pressure Drop (in.w.g.)						
	500	1000	1500	1750	2000	2250	2500
36	0.01	0.04	0.09	0.12	0.16	0.20	0.25
60	0.02	0.06	0.14	0.18	0.24	0.30	0.38
84	0.03	0.11	0.25	0.34	0.44	0.56	0.69
108	0.02	0.09	0.20	0.28	0.36	0.46	0.56

Acceptable (0 - 0.35")     Caution (>0.35") Pressure Drop may be too high for certain applications

### Generated Noise (GN)

@ 5 sq.ft. face area

Length (in.)	Face Velocity (ft. per min)	Octave Band - Hz/Generated Noise (dB re 10 <sup>-12</sup> watts)							
		63	125	250	500	1K	2K	4K	8K
All	- 2000	53	55	57	55	56	60	55	45
	- 1250	52	49	45	48	50	49	38	27
	+ 1250	56	48	43	46	45	38	29	26
	+ 2000	59	58	55	55	54	52	48	44

GN correction chart at right must be used to correct GN to other face areas. →

Face Area (sq.ft.)	2.5	5	10	20	40	80
dB	-3	0	+3	+6	+9	+12

#### Cross Section Sizes\*

"A" dimension (in.)  
6  
10-13  
20-26  
30-240

"B" dimension  
ANY SIZE

Approx. weight  
6.3 lbs/cu.ft.

See [Rectangular Silencer Cross-Section Dimensions](#) to ensure selection matches ductwork dimensions.