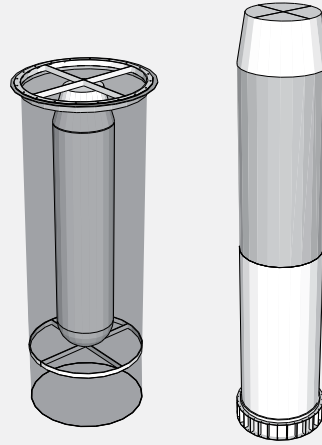


## STACK



### Description

**VIBRO-ACOUSTICS STACK SILENCERS** offer an optimal aero-acoustic solution for the most challenging industrial stack applications. Through our integrated design and manufacturing techniques, we are also able to manufacture each silencer to meet the unique mechanical demands of a vast array of application issues, such as:

- > Gases exiting at high velocity
- > Gases at elevated temperatures
- > Gases containing particulate matter
- > Integrated structural component

Extensive range of Stack Silencer products available, include:

- > Dissipative with special media protection
- > Tuned, no-media
- > Plug resistant
- > In-field cleanable

### Applications

- > Lab Exhaust
- > Industrial exhaust
- > Dust collectors

### Features and Benefits

- > HRS Casing with required finishes and Continuously welded seams
- > External gauges compatible with stack requirements
- > Surface finishes to match architectural requirements
- > Structurally designed to withstand wind and seismic loading
- > Flanged connections
- > Available as dissipative and no-media type
- > Stack inserts can also be designed for use with stacks by others

### Accessories

- > Inducer cap
- > Duct spool pieces
- > Breeching

### Special Options

- > Weld passivation for superior surface finish (Stainless only)
- > Curb caps for weather protection
- > Service ladders and catwalks
- > Washdown nozzles
- > Inducer caps