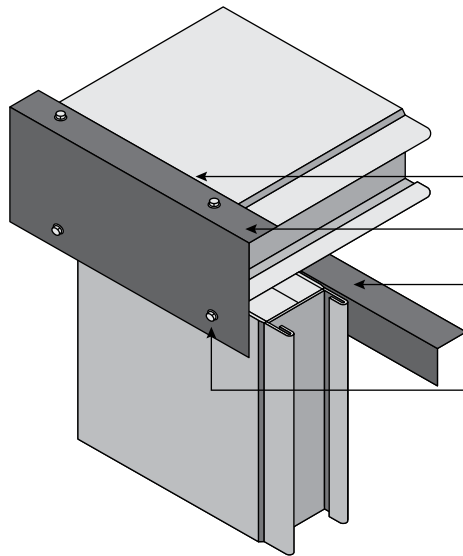


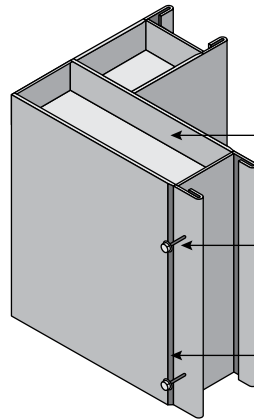
ENCLOSURES TONGUE & GROOVE PANEL

DETAIL 1



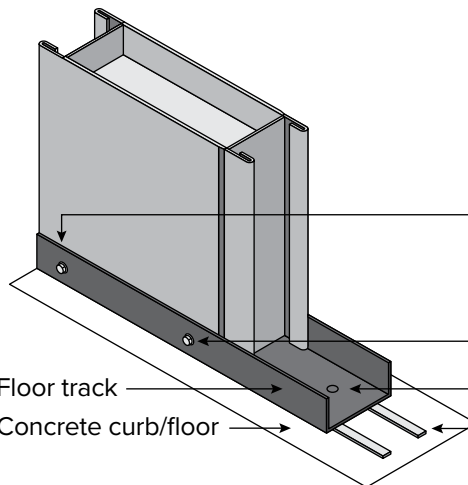
WALL TO ROOF CONNECTION

- Continuous bead of sealant along outside seams
- 2 x (panel width+2) outside corner flashing
- 2 x 2 inside corner flashing
- #12 x 1" tek screw on max. 12" centers



ONE PIECE CORNER PANEL

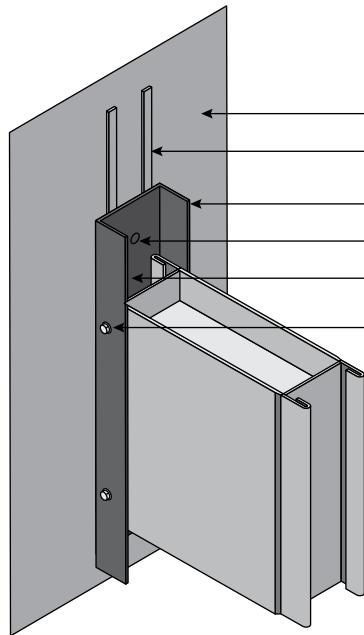
- Installer to fill all cavities with media (typical)
- #12 x 1" tek screw on max. 12" centers
- Continuous bead of sealant along outside seams



WALL PANEL TO FLOOR/CURB

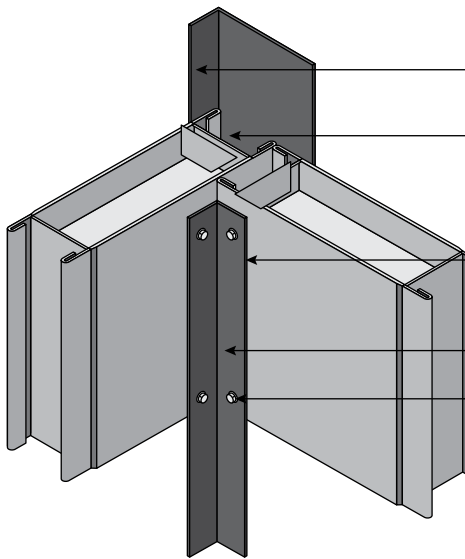
- Continuous bead of sealant along outside seams
- #12 x 1" tek screw on max. 12" centers
- 1/4 x 1-1/4 starpin fastener on max. 24" centers
- 2 rows caulking tape
- Floor track
- Concrete curb/floor

DETAIL 2



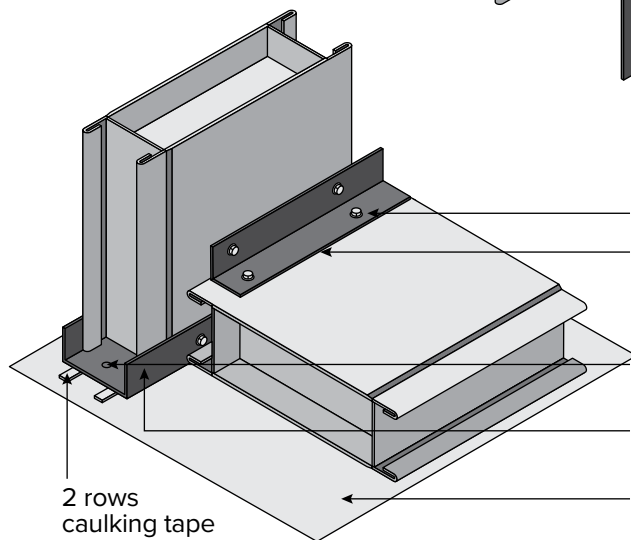
WALL PANEL TO WALL CONNECTION

- Existing concrete wall
- 2 rows caulking tape
- Wall channel
- 1/4 x 1-1/4 starpin fastener on max. 24" centers
- Installer to fill all cavities with media (typical)
- #12 x 1" tek screw on max. 12" centers



TWO PIECE CORNER PANEL

- 2 x (panel width+2) corner flashing
- Installer to fill all cavities with media (typical)
- Continuous bead of sealant along outside seams
- 2 x 2 corner flashing
- #12 x 1" tek screw on max. 12" centers

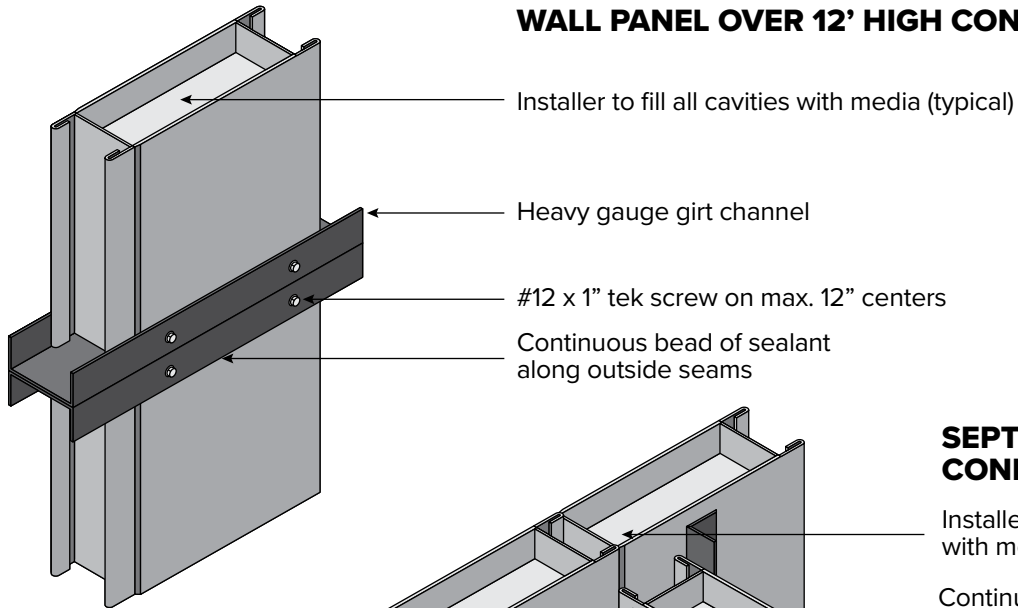


FLOOR PANEL TO WALL PANEL

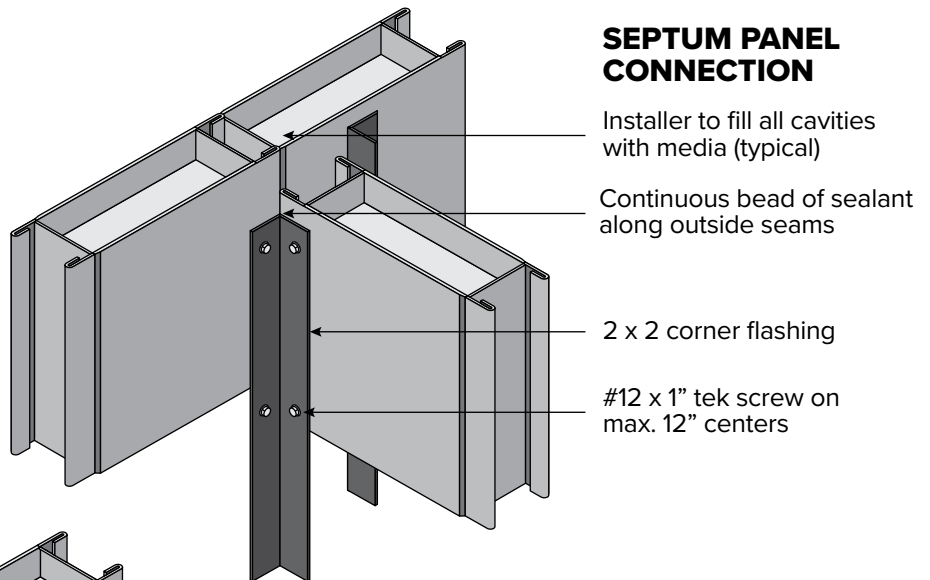
- #12 x 1" tek screw on max. 12" centers
- 2 x 2 corner flashing
- 1/4 x 1-1/4 starpin fastener on max. 24" centers
- Floor track
- Concrete floor
- 2 rows caulking tape

DETAIL 3

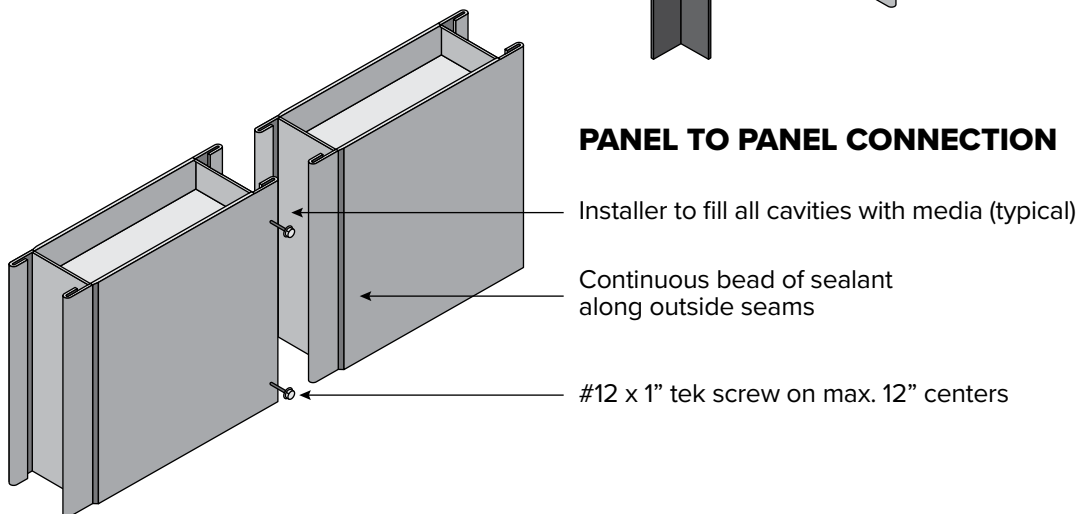
WALL PANEL OVER 12' HIGH CONNECTION



SEPTUM PANEL CONNECTION

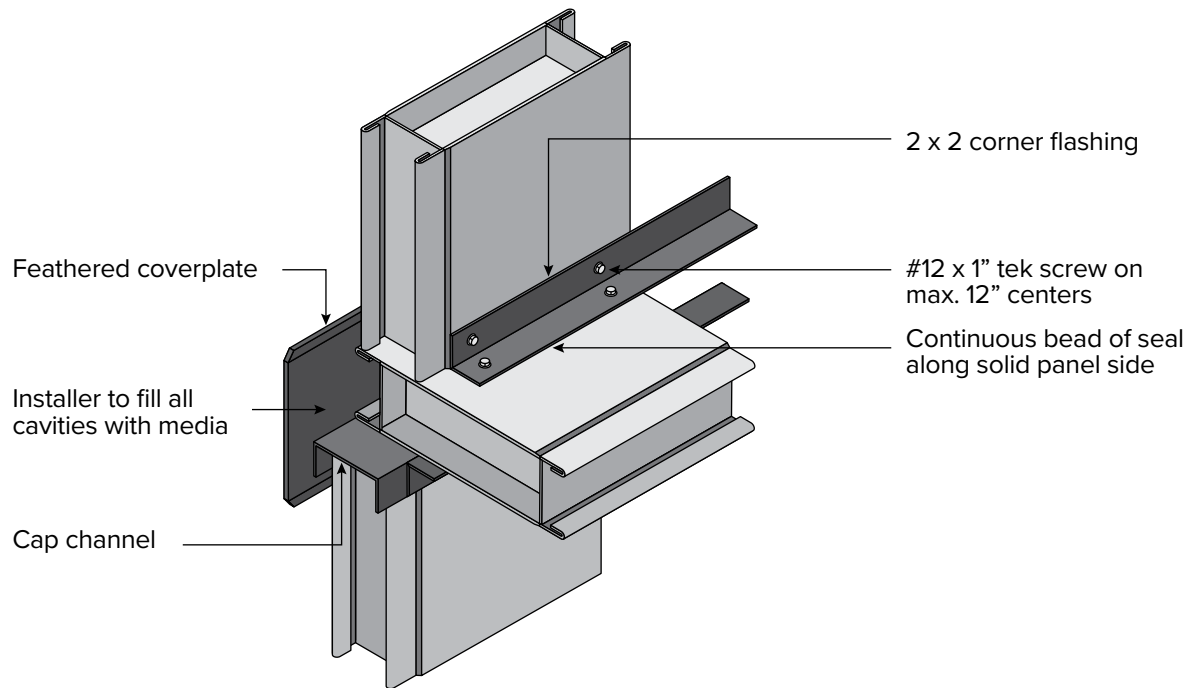


PANEL TO PANEL CONNECTION

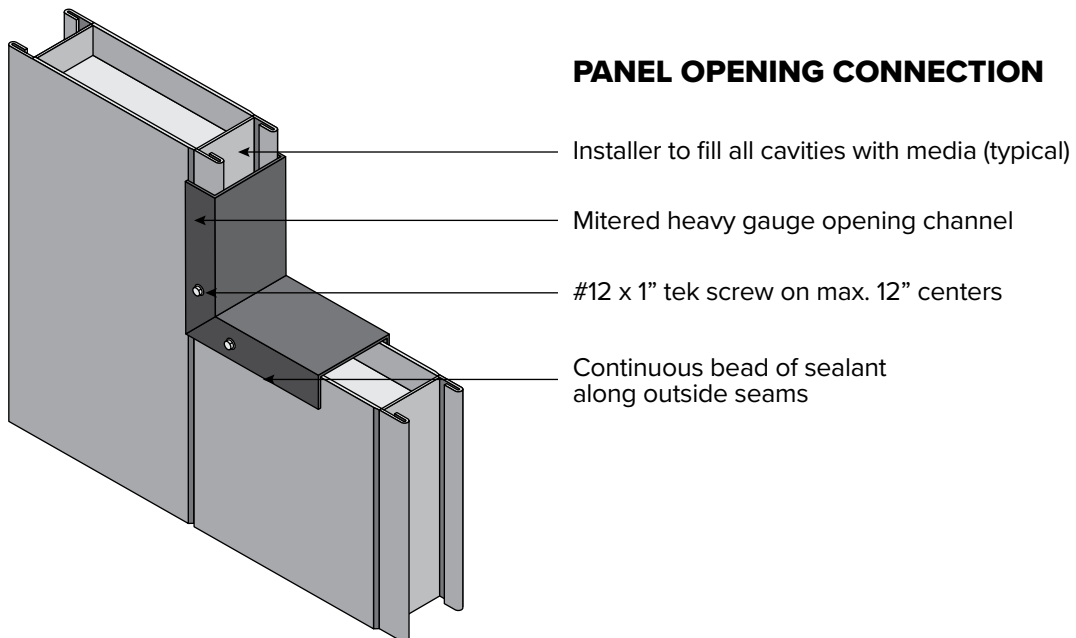


DETAIL 4

HORIZONTAL SEPTUM CONNECTION

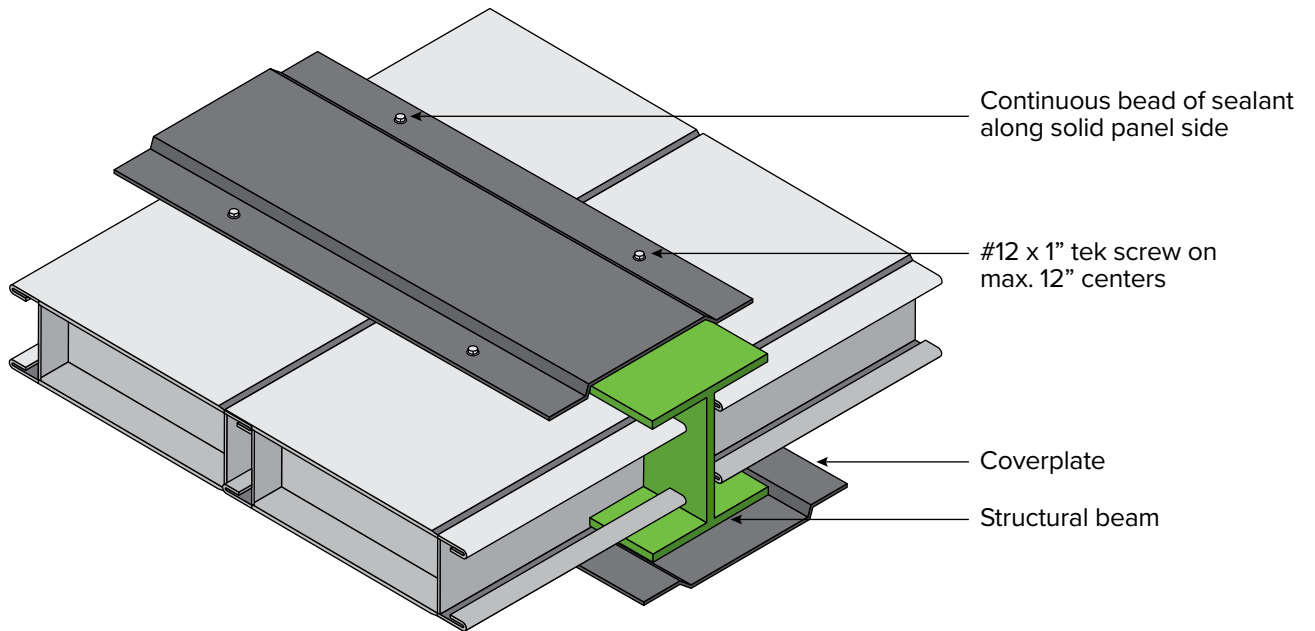


PANEL OPENING CONNECTION



DETAIL 5

ROOF PANEL TO BEAM CONNECTION



WALL PANEL TO COLUMN CONNECTION

